

## MINI FILED

The discreet spotlight



MINIFILED Simple



MINIFILED Low luminance

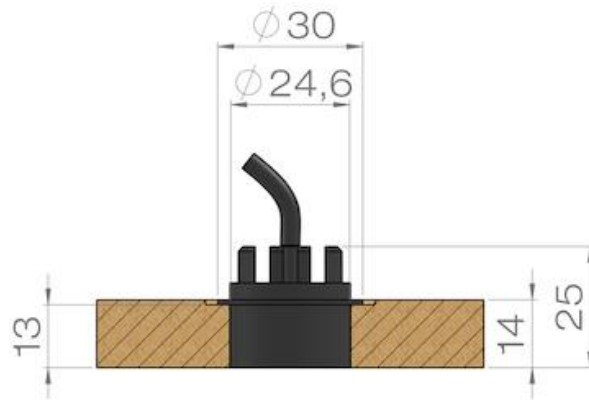
## MINIFILED

<b>Range</b>	Recessed spotlight for accent lighting
<b>Description</b>	Matt finish black anodized aluminium Simple version or Low luminance version with straight or beveled tube (3°, 5°, 7°, 10°, 15° ou 20°)
<b>Dimensions</b>	Installation diameter : according to version (see drawings) Length : 25mm to 46.6mm according to version (see drawings)
<b>Net weight</b>	0.025 kg
<b>LED characteristics</b>	1 or 2 LED : 2700K - 3000K - 3500K - 4000K Combination of colour temperatures upon customer's request MacAdam ellipse: 3 SDCM CRI: 90 Luminous flux : 80 lm (1 LED) – 160 lm (2 LED)
<b>Optical beam</b>	8° - 14° - 21° - 26° - 30° - 40°
<b>Connection</b>	Delivered alone or with easy plug system for daisy chain (110mm or 250mm wires and male + female quick connectors + shunt end of line, for serial connection)
<b>Separate power supply</b>	350mA – 700mA max remote constant current driver
<b>LED power</b>	1W (1 LED) – 2W (2 LED)
<b>Use limitations</b>	The product must be installed into a ventilated area. Any use with an ambient temperature higher than the specified ambient temperature (Ta) would lead to a more rapid mortality of the product and the withdrawal of our guarantees. The drivers, if not delivered by LOuss, must be approved before use.
<b>Warranty</b>	Life span: L80B10 at 50,000 hours (80% remaining flux) at 25°C ambient temperature. 3-year parts and labour warranty. The warranty does not apply to products that have been opened, modified or repaired and does not cover the effects of a wrong connection, careless, abusive handling, overvoltage, lighting injury, as well as the normal wear of the product. All products are electrically tested and received a functional burn-in.

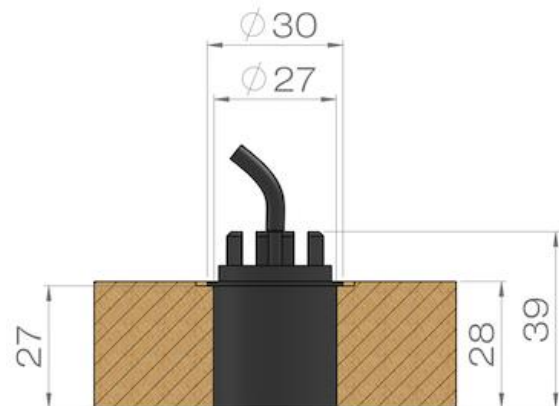
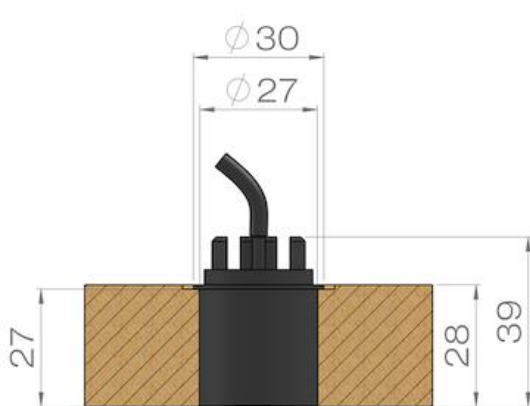
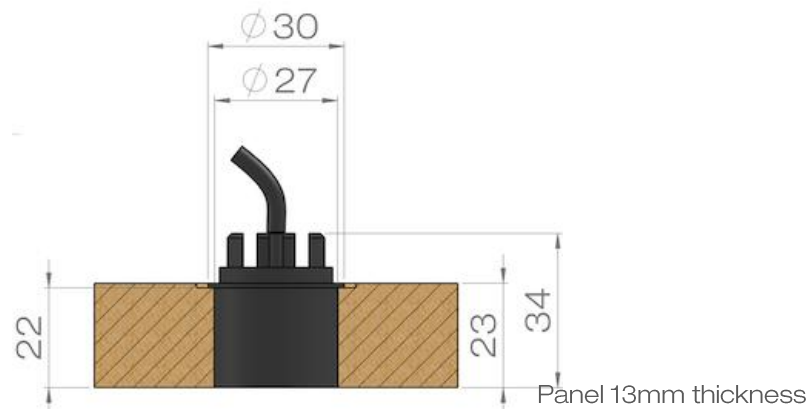
All the connections have to be made before powering up, otherwise the luminaires could be seriously damaged.



## MINIFILED SIMPLE

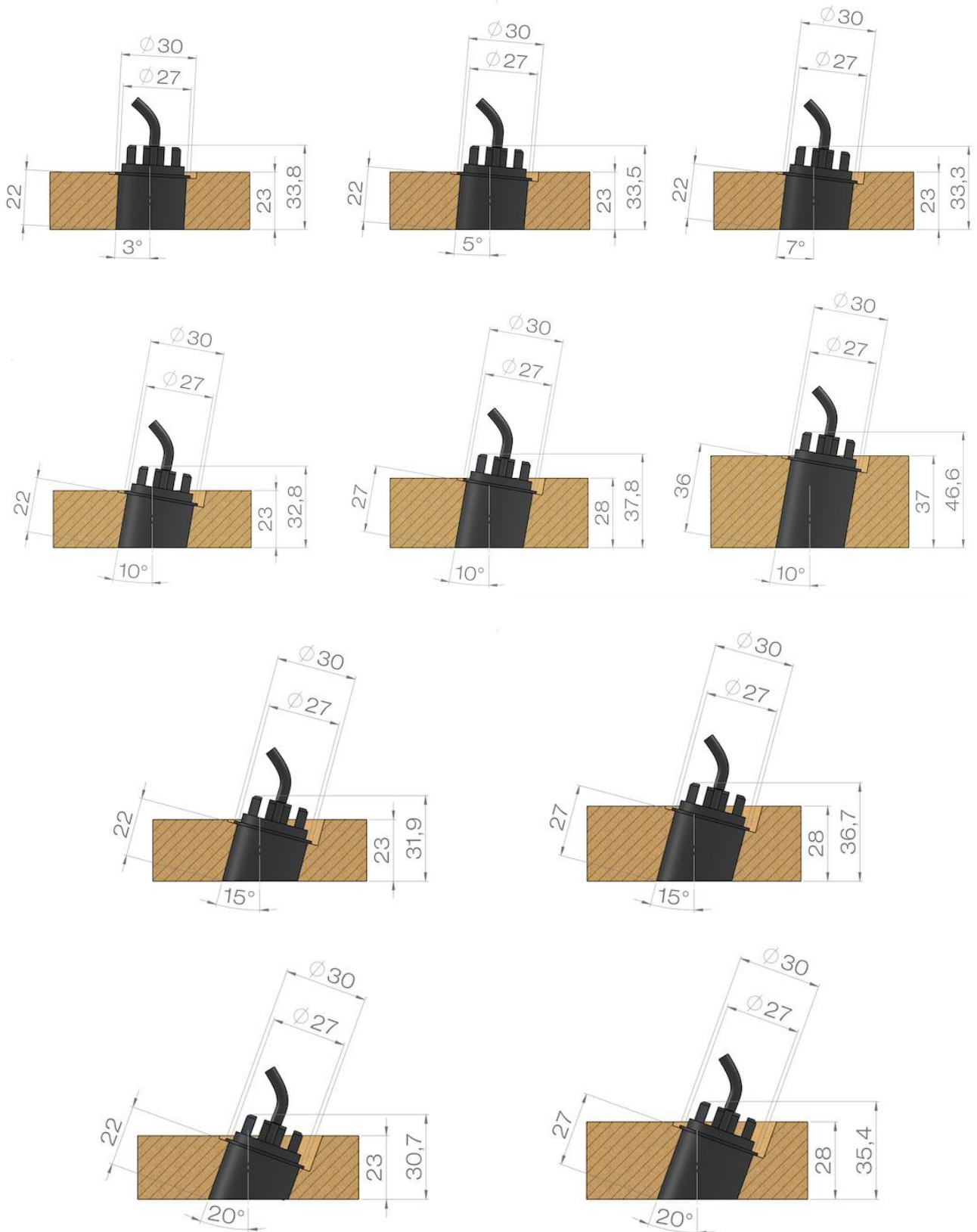


## MINIFILED LOW LUMINANCE STRAIGHT





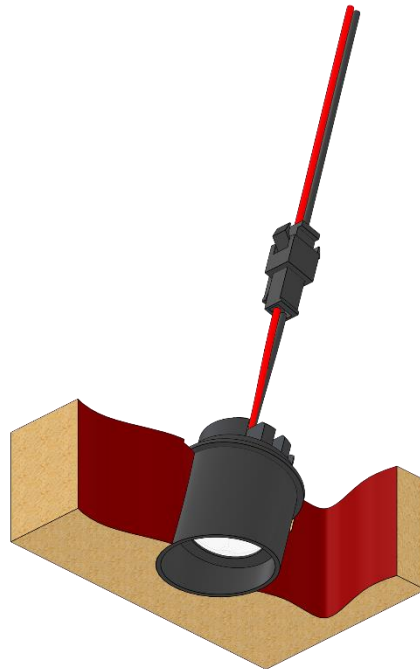
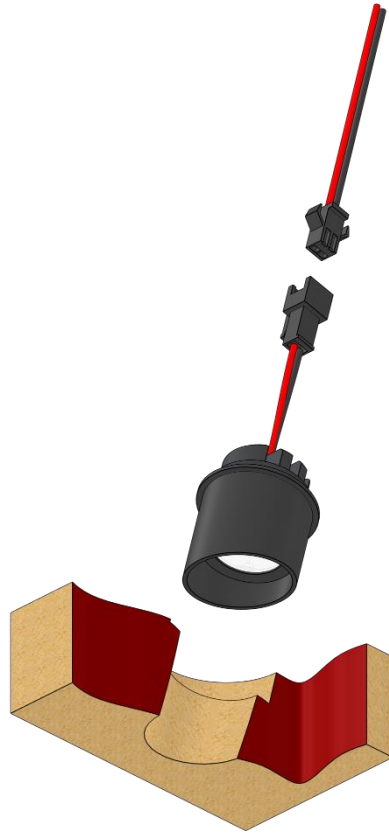
# MINI FILED LOW LUMINANCE BEVELED





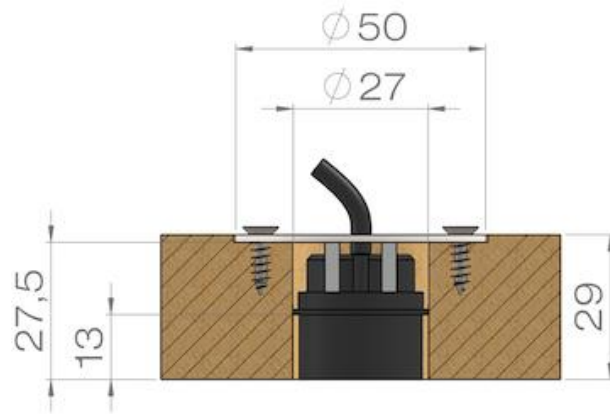
## MINI FILED SIMPLE & LOW LUMINANCE

Installation from above

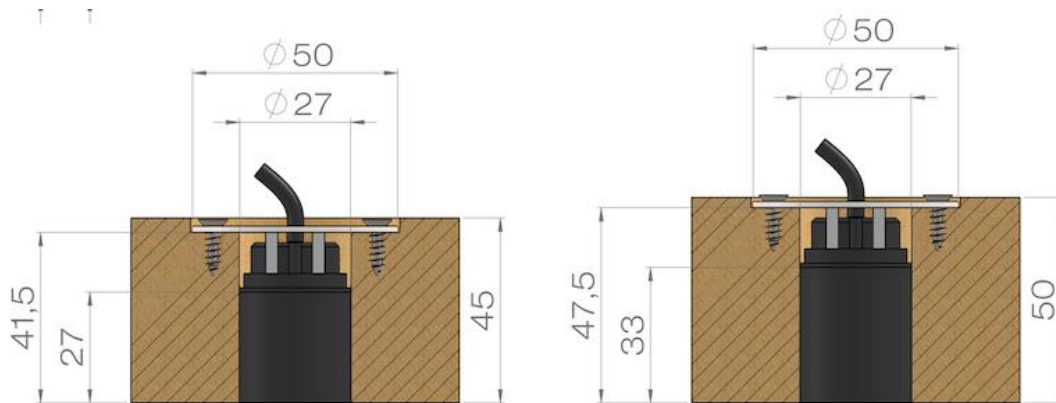
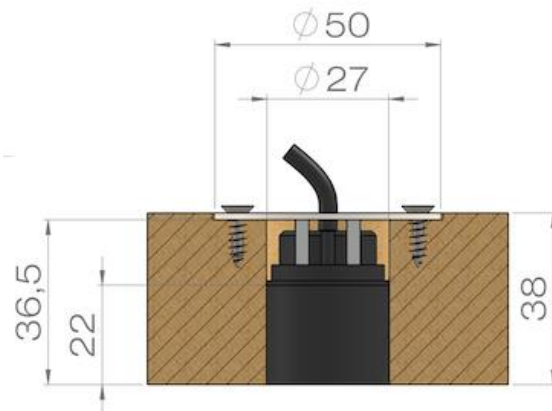




## MINIFILED SIMPLE MAGNETIC

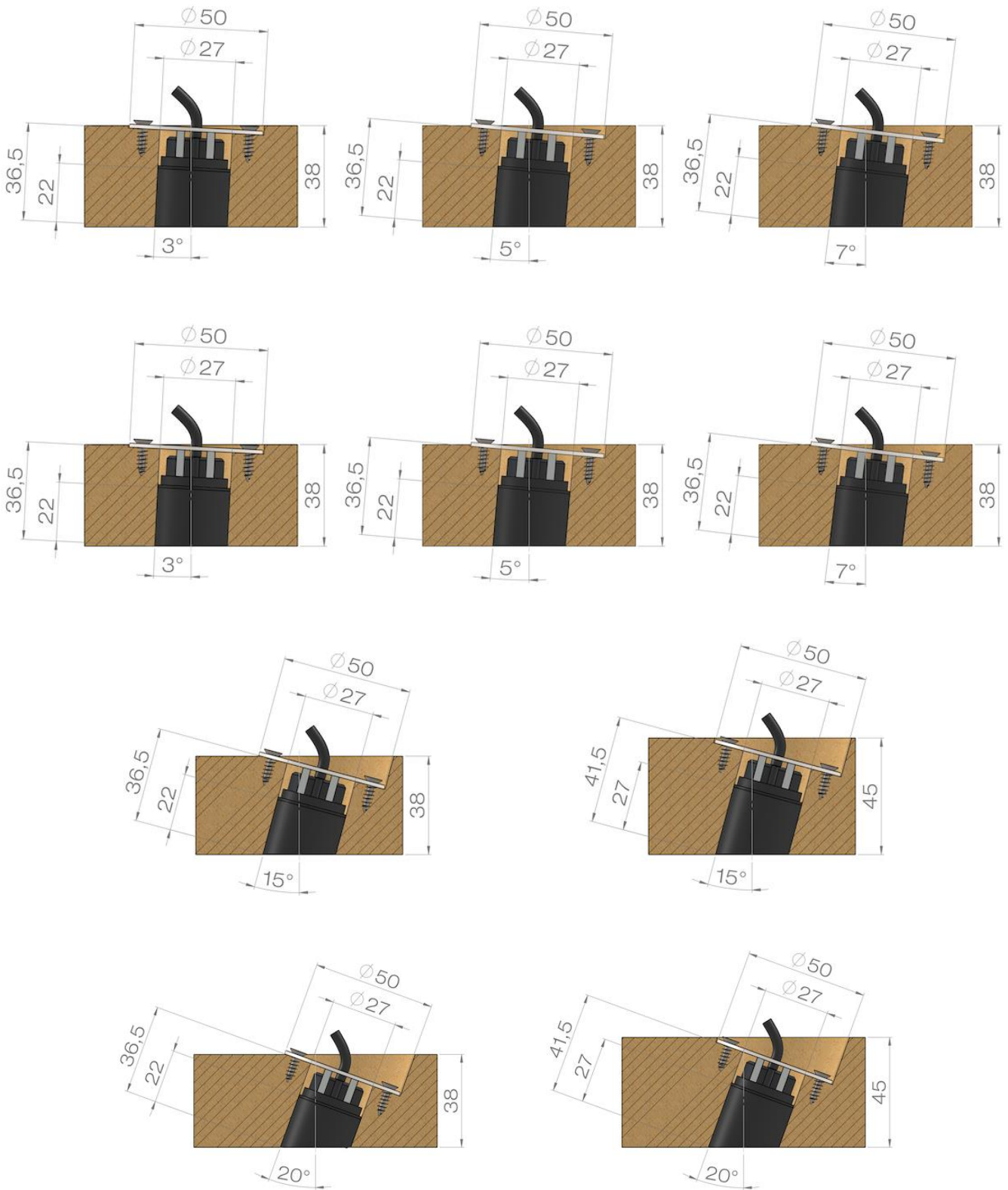


## MINIFILED LOW LUMINANCE MAGNETIC STRAIGHT





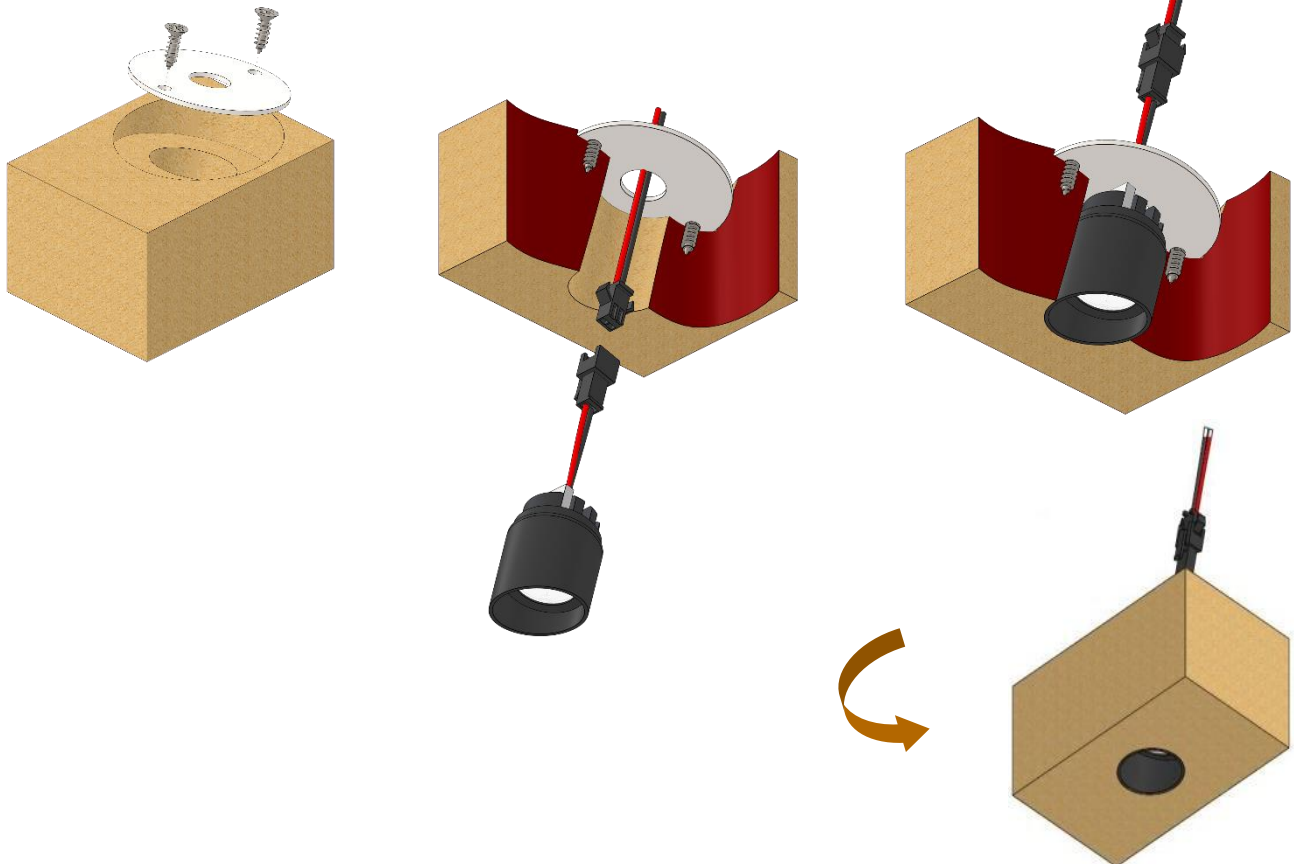
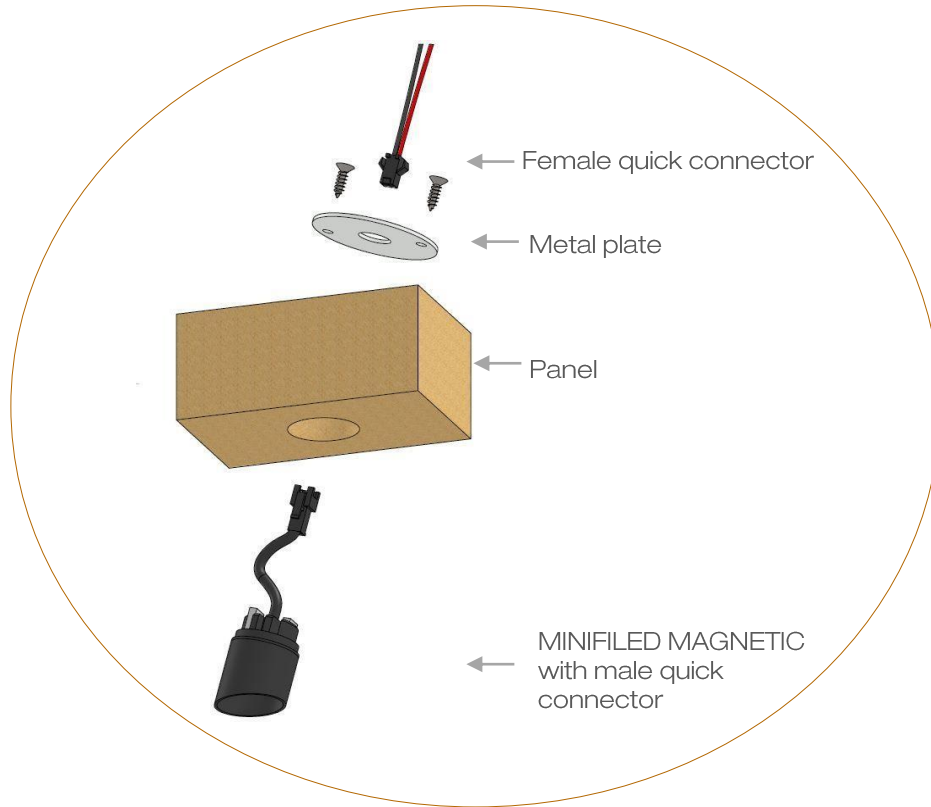
# MINI FILED LOW LUMINANCE MAGNETIC BEVELED





# MINIFILED SIMPLE & LOW LUMINANCE MAGNETIC

Installation from below

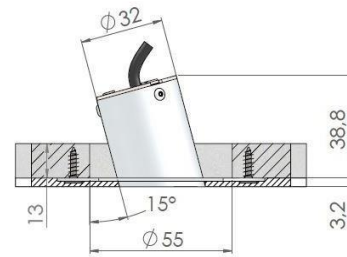
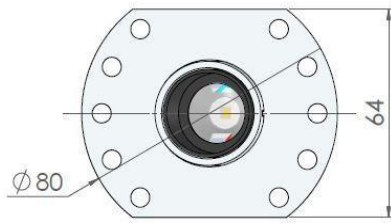




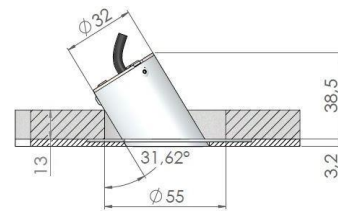
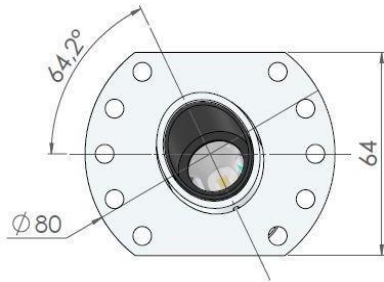


# MINIFILED LOW LUMINANCE STAIRS

Installation from below with mounting frame



Orientation 15°



Double orientation 15° + 29°  
Stairs version

Other angles upon request

