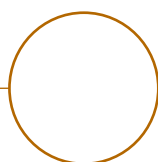
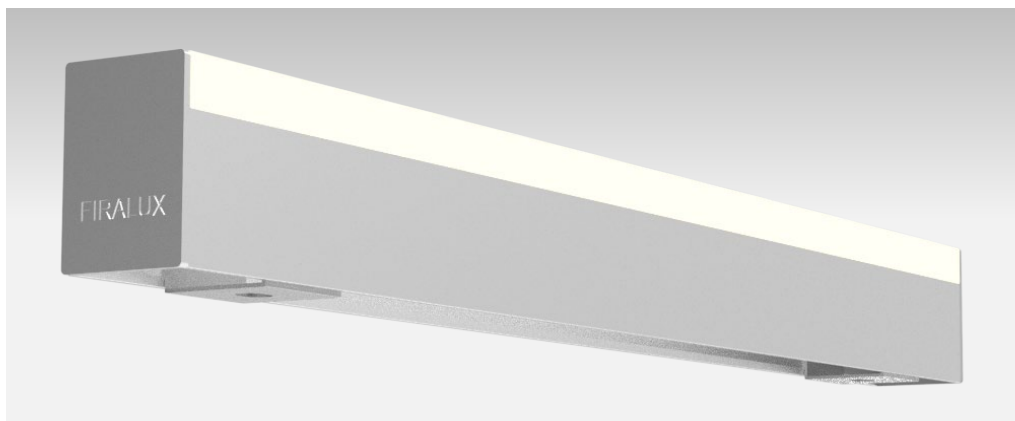
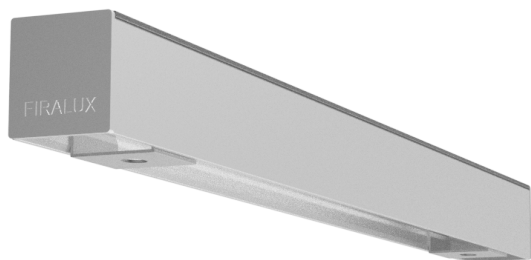


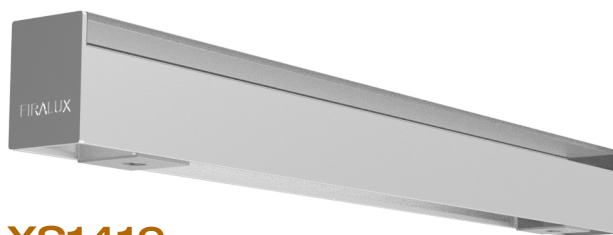
**XS1415**



**XS1419**



**XS1415**

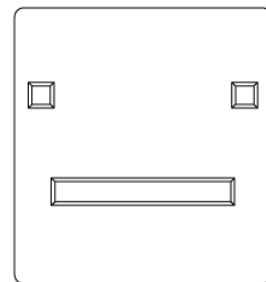
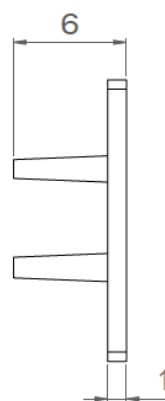
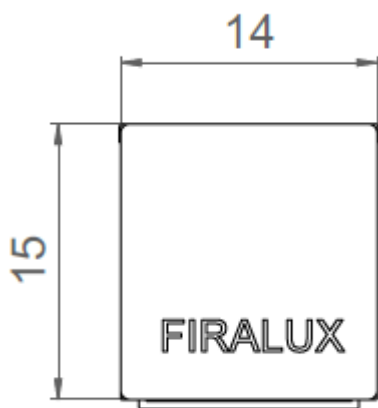
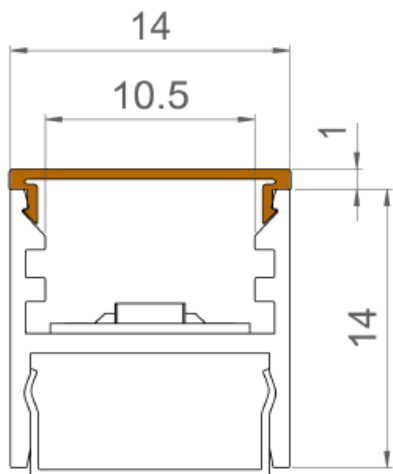


**XS1419**

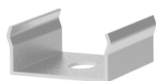
<b>Range</b>	Linear LED light			
<b>Description</b>	Natural anodized aluminium body + opal diffuser + fixing clips + 2 end caps			
<b>Dimensions</b>	XS 1415 : Width : 14mm – Height : 15mm including diffuser & fixing clips XS 1419 : Width : 14mm – Height : 19mm including diffuser & fixing clips Customized size up to 2500mm			
<b>LED strip</b>	<b>Colour temperature</b>	<b>Power W/m</b>	<b>CRI</b>	<b>Cut-out size mm</b>
FIRASLIM 60	2700K – 3000K - 4000K	13.45	90	100
FIRASLIM 120CC	2700K - 3000K 3000K+3500K - 4000K	9.60	90	50
FIRASLIM 120CC	2700K - 3000K 3500K - 4000K	14.40	90	50
FIRASLIM 120CC	2700K – 3000K – 4000K	19.20	90	50
<b>LED engine</b> 100lm/W mini luminaire's output	<b>Colour temperature</b>	<b>Power W/m</b>	<b>CRI</b>	<b>Cut-out size mm</b>
	2700K – 3000K – 3500K- 4000K	8.00	95	50
	2700K – 3000K – 3500K- 4000K	12.50	95	50
	2700K – 3000K – 3500K- 4000K	18.00	95	50
<b>Separate power supply</b>	24V constant voltage remote driver			
<b>Connection</b>	LED strip: 5m max. per driver's output	LED engine : 8.00W : 7m max. per driver's output 12.50W : max. per driver's output 18.00W : 3.50m max. per driver's output		
<b>Conditions of use</b>	The product must be installed into a ventilated area. Any use with an ambient temperature higher than the specified ambient temperature (Ta) would lead to a more rapid mortality of the product and the withdrawal of our guarantees. The drivers, if not delivered by LOuss, must be approved before use.			
<b>Warranty</b>	Life span: L80B10 at 50,000 hours (80% remaining flux) at 25°C ambient temperature. 3-year parts and labour warranty. The warranty does not apply to products that have been opened, modified or repaired and does not cover the effects of a wrong connection, careless, abusive handling, overvoltage, lighting injury, as well as the normal wear of the product. All products are electrically tested and received a functional burn-in.			

All the connections have to be made before powering up, otherwise the luminaires could be seriously damaged. 2/3

## XS1415



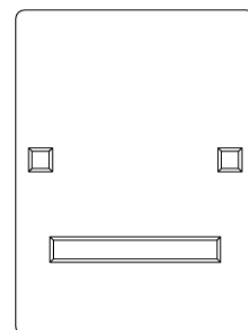
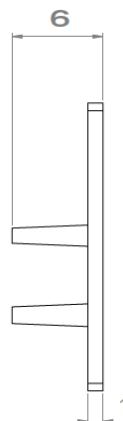
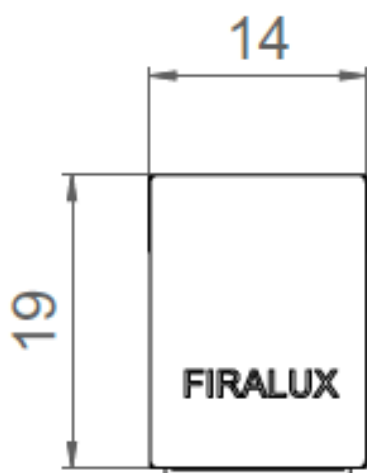
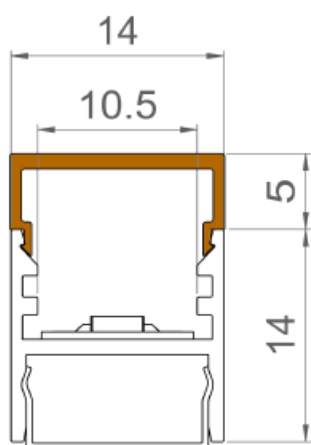
— Diffuser



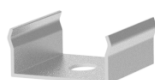
Fixing clip

End cap

## XS1419



— Diffuser



Fixing clip

End cap

All the connections have to be made before powering up, otherwise the luminaires could be seriously damaged