

**ELIS D55**  
SURFACE MOUNTED

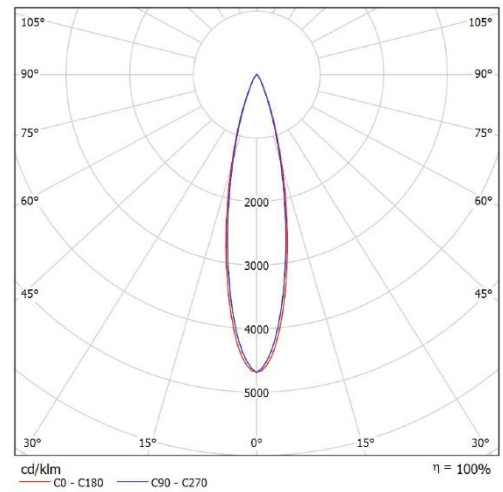
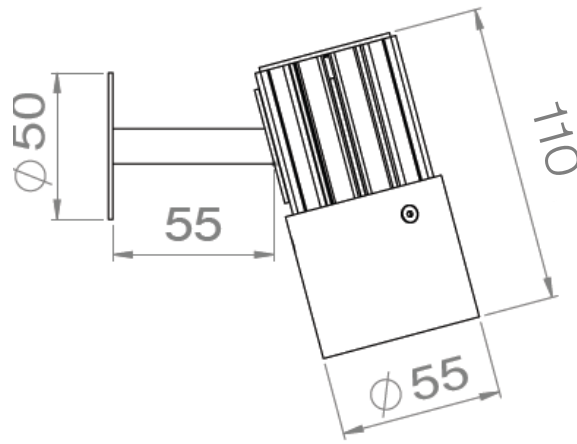


## ELIS D55 SURFACE MOUNTED

### *Common characteristics*

<b>Range</b>	Low luminance luminaire for general and accent lighting
<b>Description</b>	Black anodized aluminum heatsink RAL 9005 extra matt finish painted aluminum tube
<b>Installation</b>	Luminaire designed to be surface-mounted, by using the round metal plate (not suitable for recessed mounting) Must be installed vertically (not suitable for horizontal installation) The fixing method must be adapted to the nature of the support and must withstand a weight of 2.5kg, i.e. 5 times the weight of the luminaire
<b>Limits of use</b>	The product must be installed in a ventilated area, at a minimum distance of 4 cm from any vertical wall. Any use in an ambient temperature above 30° will result in premature product mortality and the withdrawal of the warranty  Not suitable for mounting on easily flammable materials. Drivers, if not supplied by LOuss, must be approved before use. All products are tested before delivery
<b>Waranty</b>	Guaranteed flux: 80% of initial flux after 50,000 hours (L80B10), at 30°C ambient temperature  3-year parts and labor warranty. This warranty covers problems related to the manufacture and components of our products. The warranty does not apply if the product has been opened, modified or repaired. Damage caused by incorrect connection, lightning, overvoltage or misuse is not covered  Repairs are carried out in our workshop

All connections must be made before switching on the power supply.  
otherwise the LEDs may be seriously damaged.  
Supplying this luminaire with constant voltage may cause irreversible damage.



## ELIS D55 SURFACE MOUNTED-44°

<b>Dimensions</b>	Luminaire: Length 110mm - Diameter 55mm Available in straight or sloped versions Available with hollow hook for connection
<b>Installation</b>	Surface-mounted on vertical wall
<b>Net weight</b>	0.450Kg
<b>LED characteristics</b>	2700K Ellipse MacAdam: 3 SDCM IRC90 UGR < 15 1,400lm at 500mA
<b>Optical beam</b>	44°
<b>Connection</b>	Supplied with 1m cable
<b>Separate power supply</b>	External constant-current driver 500mA max, type SELV, compliant with EN 61347-2-13 standard This driver must supply a minimum constant current of 50mA to obtain a luminous flux > 45 lm It must not be able to deliver a current greater than 2A in both normal and short-circuit operation
<b>Consumption</b>	18W at 500mA max Junction block not included. Installation may require the advice of a qualified person
<b>Electrical characteristics</b>	Electrical class : III Max. current : 500mA Power : 18W at 500mA Voltage : 36V at 500mA

All connections must be made before switching on the power supply,  
otherwise the LEDs may be seriously damaged.  
Supplying this luminaire with constant voltage may cause irreversible damage

3/6

**LOUSS**

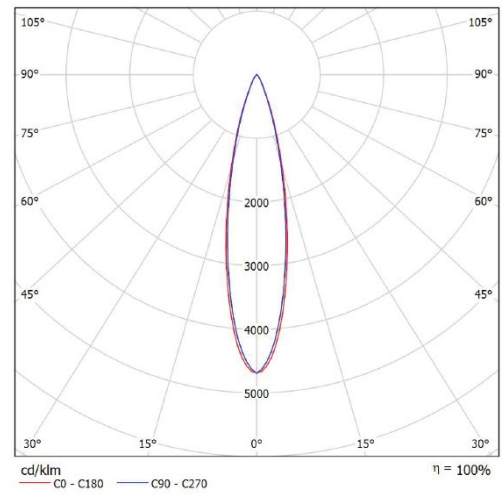
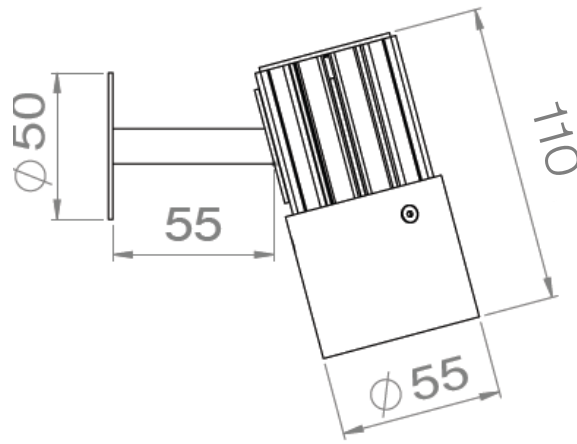
Last update : 2023/10/23

Firalux & LOUSS brands

SARL, Capital 40 000€  
RCS DIJON B 503 367 245  
TVA/VAT n°: FR24 503 367 245  
APE 4676Z

Tel. : +33 380 48 65 68  
contact@louss.fr  
[www.louss.fr](http://www.louss.fr)  
Best group

Siège social / Head Office  
PA Les Terres d'Or  
Route de Saint Philibert  
21220 Gevrey Chambertin - FRANCE



## ELIS D55 SURFACE MOUNTED-21°

<b>Dimensions</b>	Luminaire: Length 110mm - Diameter 55mm Available in straight or sloped versions Available with hollow hook for connection
<b>Installation</b>	Surface-mounted on vertical wall
<b>Net weight</b>	0.450Kg
<b>LED characteristics</b>	2700K Ellipse MacAdam: 3 SDCM IRC90 UGR < 15 1,400lm at 500mA
<b>Optical beam</b>	21°
<b>Connection</b>	Supplied with 1m cable
<b>Separate power supply</b>	External constant-current driver 500mA max, type SELV, compliant with EN 61347-2-13 standard This driver must supply a minimum constant current of 50mA to obtain a luminous flux > 45 lm It must not be able to deliver a current greater than 2A in both normal and short-circuit operation
<b>Consumption</b>	18W at 500mA max Junction block not included. Installation may require the advice of a qualified person
<b>Electrical characteristics</b>	Electrical class : III Max. current : 500mA Power : 18W at 500mA Voltage : 36V at 500mA

All connections must be made before switching on the power supply.  
otherwise the LEDs may be seriously damaged.  
Supplying this luminaire with constant voltage may cause irreversible damage

4/6

LOUSS

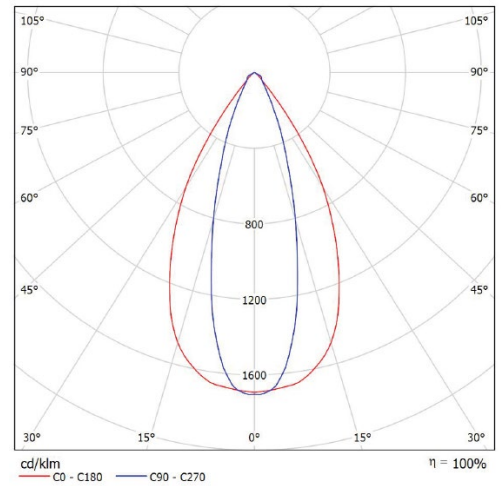
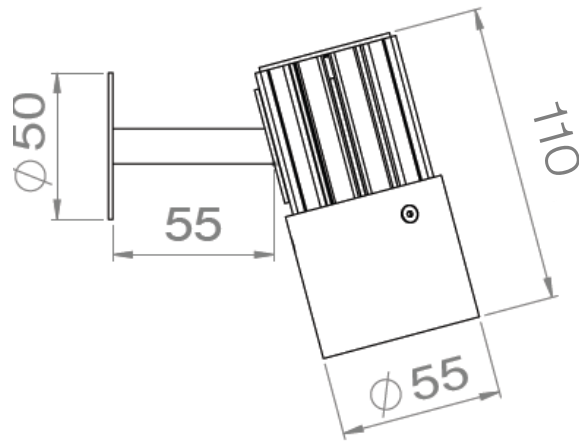
Last update : 2023/10/23

Firalux & LOUSS brands

SARL, Capital 40 000€  
RCS DIJON B 503 367 245  
TVA/VAT n°: FR24 503 367 245  
APE 4676Z

Tel. : +33 380 48 65 68  
contact@louss.fr  
www.louss.fr  
Best group

Siège social / Head Office  
PA Les Terres d'Or  
Route de Saint Philibert  
21220 Gevrey Chambertin - FRANCE



## ELIS D55 SURFACE MOUNTED-ELLIPTICAL

<b>Dimensions</b>	Luminaire: Length 110mm - Diameter 55mm Available in straight or sloped versions Available with hollow hook for connection
<b>Installation</b>	Surface-mounted on vertical wall
<b>Net weight</b>	0.450Kg
<b>LED characteristics</b>	2700K Ellipse MacAdam: 3 SDCM IRC90 UGR < 15 1,400lm at 500mA
<b>Optical beam</b>	Elliptic 30°x57°
<b>Connection</b>	Supplied with 1m cable
<b>Separate power supply</b>	External constant-current driver 500mA max, type SELV, compliant with EN 61347-2-13 standard This driver must supply a minimum constant current of 50mA to obtain a luminous flux > 45 lm It must not be able to deliver a current greater than 2A in both normal and short-circuit operation
<b>Consumption</b>	18W at 500mA max Junction block not included. Installation may require the advice of a qualified person
<b>Electrical characteristics</b>	Electrical class : III Max. current : 500mA Power : 18W at 500mA Voltage : 36V at 500mA

All connections must be made before switching on the power supply,  
otherwise the LEDs may be seriously damaged.  
Supplying this luminaire with constant voltage may cause irreversible damage

5/6

Louss

Last update : 2023/10/23

Firalux & LOuss brands

SARL, Capital 40 000€  
RCS DIJON B 503 367 245  
TVA/VAT n°: FR24 503 367 245  
APE 4676Z

Tel. : +33 380 48 65 68  
contact@louss.fr  
[www.louss.fr](http://www.louss.fr)  
Best group

Siège social / Head Office  
PA Les Terres d'Or  
Route de Saint Philibert  
21220 Gevrey Chambertin - FRANCE

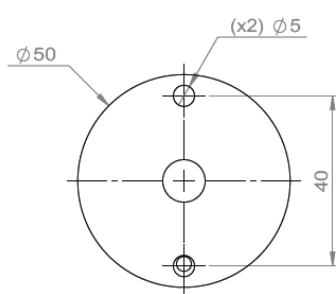


## ELIS D55 SURFACE MOUNTED

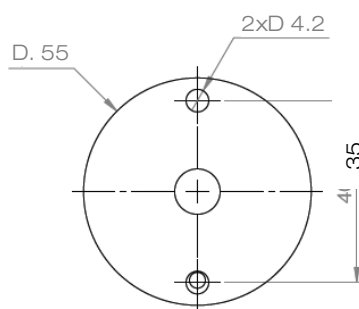
### Installation guide

- 1 Make sure that the installation's surface can endure the weight of the luminaire (max. 0.5kg depending on version)

- 2 Drill 2 holes in the surface according to the indications below  
Please note that the holes vary depending on the kind of hook (flat or hollow)



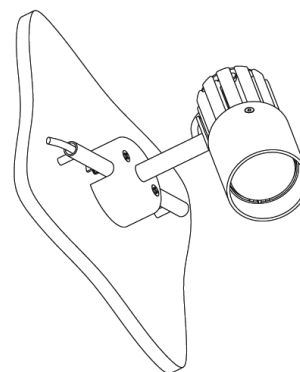
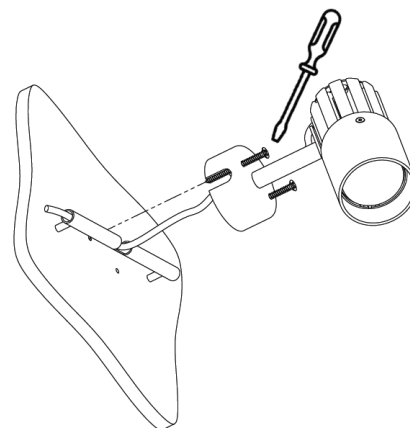
Metal plate hook



Hollow hook

- 3 Connect the luminaire to the driver

- 4 Screw in the 2 screws



All connections must be made before switching on the power supply.  
otherwise the LEDs may be seriously damaged.  
Supplying this luminaire with constant voltage may cause irreversible damage