

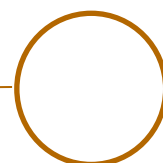
# LOUSS

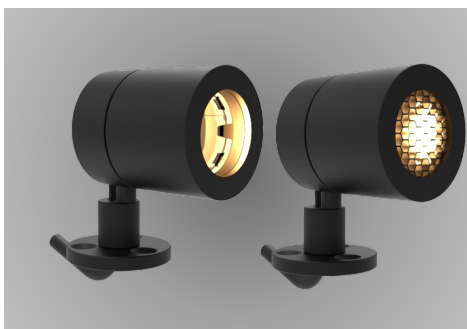
Lighting Emotion



## V25 PATELLA

The small  
adjustable spotlight





## V25 PATELLA

<b>Range</b>	LED spotlight for accent lighting	
<b>Description</b>	Black matt finish (except magnet) 3 possibilities of fixing devices: <ul style="list-style-type: none"> <li>• Tube 10mm high (Patella version),</li> <li>• Tube 10mm high + round metal plate (On Plate version),</li> <li>• Tube 10mm high + magnet (Magnetic version)</li> </ul> Rotation: 120° - Tilt: 105°	
<b>Dimensions</b>	Length : 37mm Diameter : 25mm	
<b>Net weight</b>	0.050 kg	
<b>LED characteristics</b>	1 LED : 2200K - 2700K - 3000K - 3500K - 4000K (other upon request) CRI 90 - 95 R9>80 Filter, honeycomb grid upon request	
<b>Optical beam</b>	LED CRI 92	10° - 12° - 18° - 24° - 36° - 40° - 54° - 60° - Elliptical Caution: The luminous border is poorly defined with 10° and 12° optics
	LED CRI 95	15° - 17° - 25° - 31° - 36° - 40° - 57° - Elliptical
<b>Connection</b>	Supplied with 0.5m cable (other length upon request) Individual or series connection to remote constant current driver	
<b>Separate power supply</b>	900mA max constant current driver Dimmable driver upon request	
<b>LED power</b>	2.7W at 900mA max	
<b>Use limitations</b>	The product must be installed into a ventilated area. Any use with an ambient temperature higher than the specified ambient temperature (Ta) would lead to a more rapid mortality of the product and the withdrawal of our guarantees. The drivers, if not delivered by LOuss, must be approved before use.	
<b>Warranty</b>	Life span: L80B10 at 50,000 hours (80% remaining flux) at 25°C ambient temperature. 3-year parts and labour warranty. The warranty does not apply to products that have been opened, modified or repaired and does not cover the effects of a wrong connection, careless, abusive handling, overvoltage, lighting injury, as well as the normal wear of the product. All products are electrically tested and received a functional burn-in.	

All the connections have to be made before powering up, otherwise the luminaires could be seriously damaged.

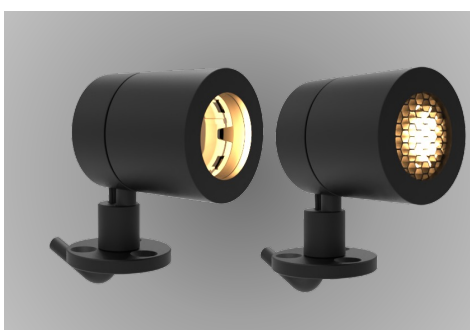
Last update : 2024.04.16

LOuss

SARL, Capital 40 000€  
 RCS DIJON B 503 367 245  
 TVA/VAT n°: FR24 503 367 245  
 APE 4676Z

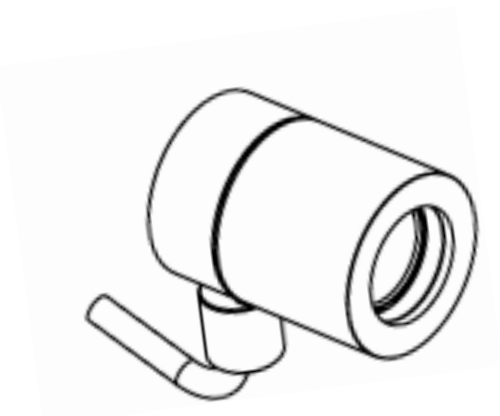
Tel. : +33 380 48 65 68  
 contact@louss.fr  
[www.louss.fr](http://www.louss.fr)  
 Best group

2/6  
 Firalux & LOuss brands  
 Siège social / Head Office  
 PA Les Terres d'Or  
 Route de Saint Philibert  
 21220 Gevrey Chambertin - FRANCE



## V25 PATELLA

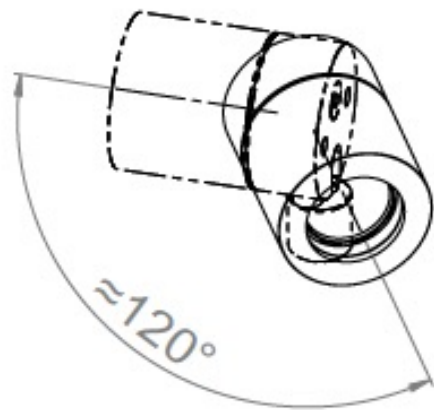
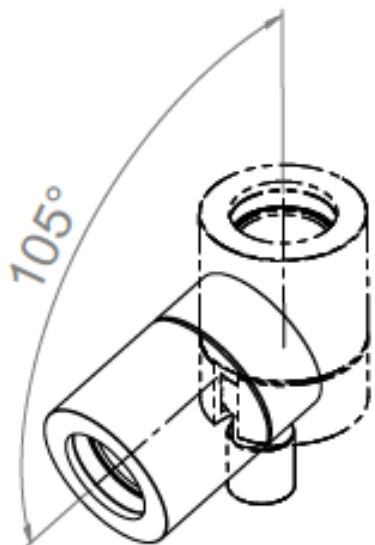
### Orientation & Options



Without honeycomb grid



With honeycomb grid



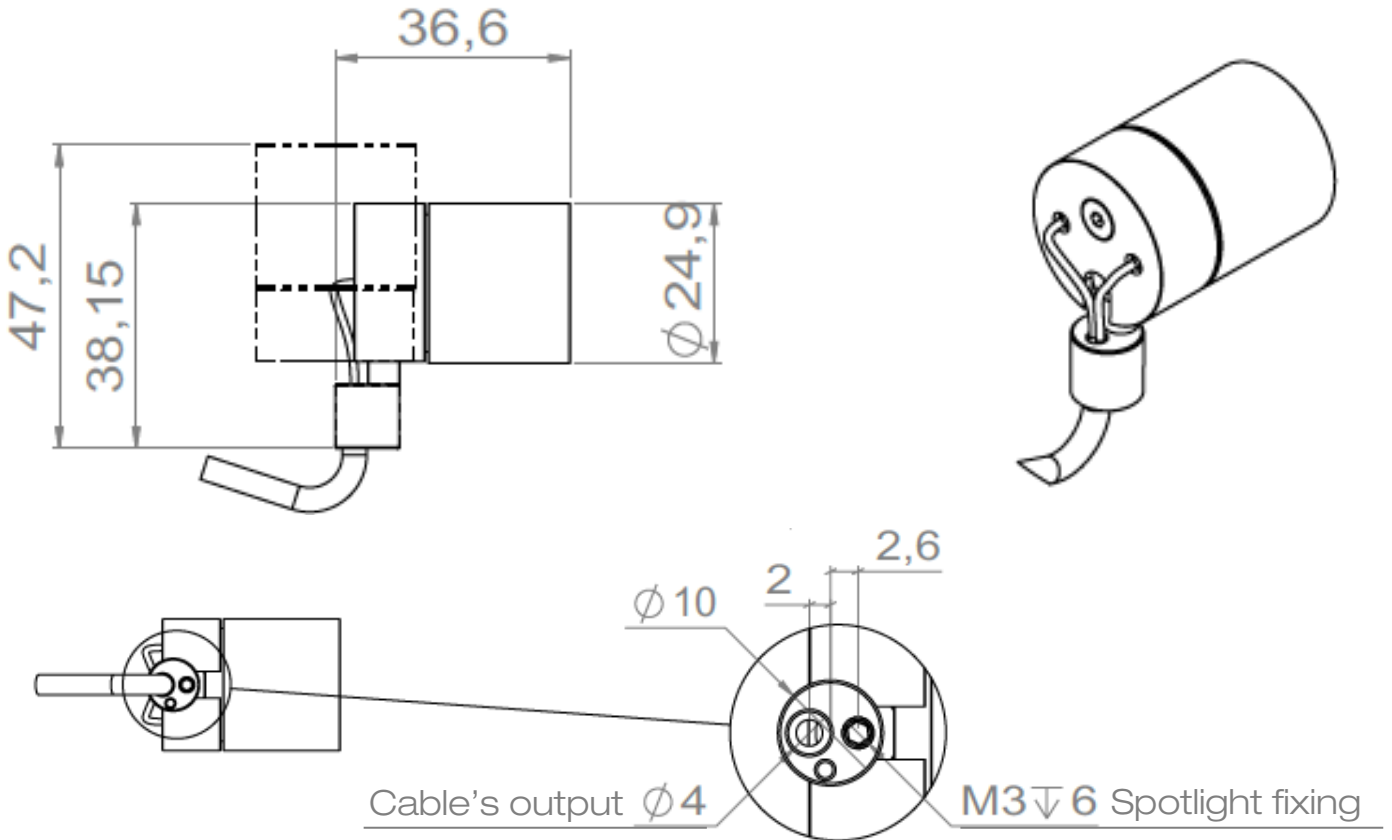
> 120° is not appropriate because of the cable

All the connections have to be made before powering up, otherwise the luminaires could be seriously damaged.



## V25 PATELLA

Cable below



Cable behind



All the connections have to be made before powering up, otherwise the luminaires could be seriously damaged.

Louss

Last update : 2024.04.16

4/6  
Firalux & LOuss brands

SARL, Capital 40 000€  
RCS DIJON B 503 367 245  
TVA/VAT n°: FR24 503 367 245  
APE 4676Z

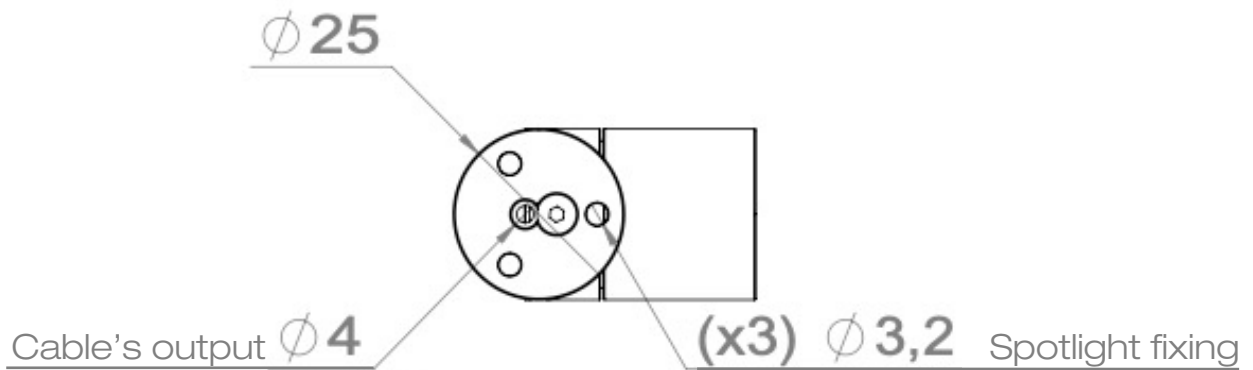
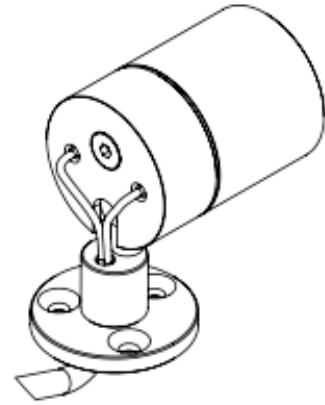
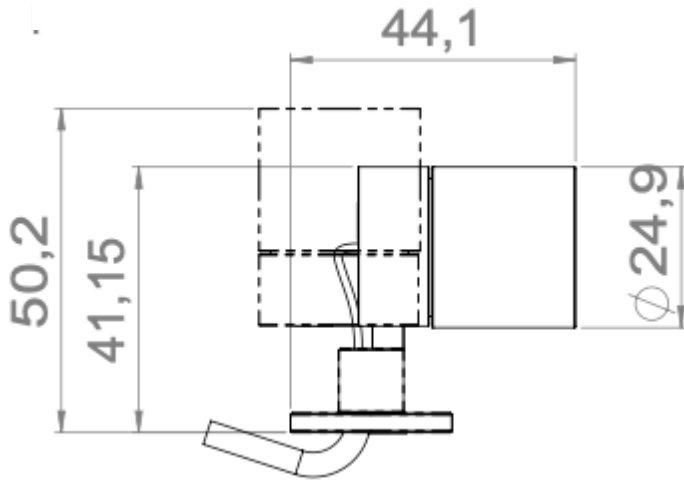
Tel. : +33 380 48 65 68  
contact@louss.fr  
www.louss.fr  
Best group

Siège social / Head Office  
PA Les Terres d'Or  
Route de Saint Philibert  
21220 Gevrey Chambertin - FRANCE

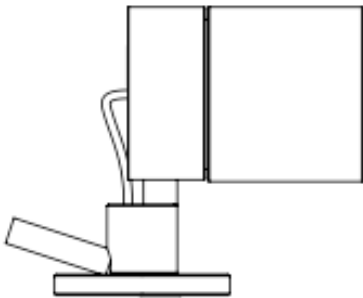


## V25 PATELLA ON PLATE

Cable below



Cable behind



All the connections have to be made before powering up, otherwise the luminaires could be seriously damaged.

Louss

Last update : 2024.04.16

5/6  
Firalux & LOuss brands

SARL, Capital 40 000€  
RCS DIJON B 503 367 245  
TVA/VAT n°: FR24 503 367 245  
APE 4676Z

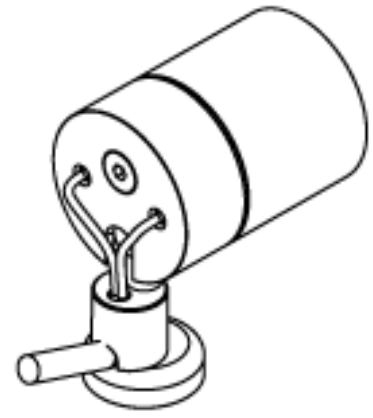
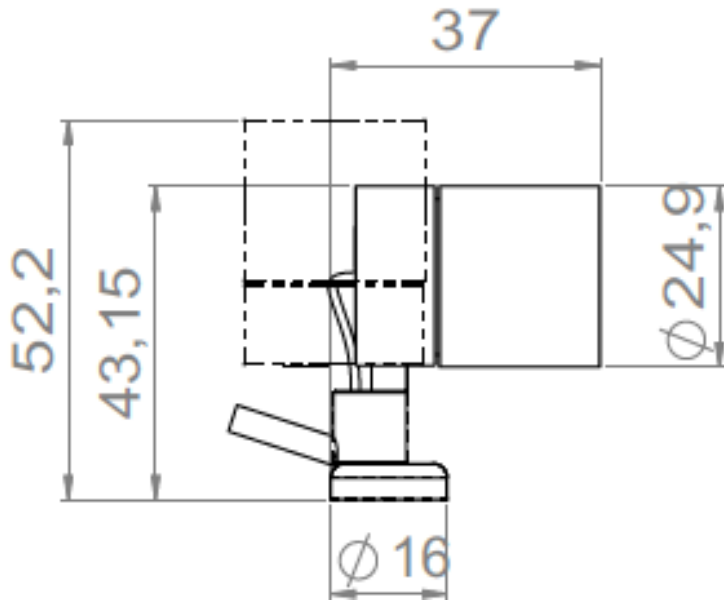
Tel. : +33 380 48 65 68  
contact@louss.fr  
www.louss.fr  
Best group

Siège social / Head Office  
PA Les Terres d'Or  
Route de Saint Philibert  
21220 Gevrey Chambertin - FRANCE



## V25 PATELLA MAGNETIC

Cable behind only



Magnet  
nickel finish

All the connections have to be made before powering up,  
otherwise the luminaires could be seriously damaged.

Louss

Last update : 2024.04.16

6/6  
Firalux & LOUSS brands

SARL, Capital 40 000€  
RCS DIJON B 503 367 245  
TVA/VAT n°: FR24 503 367 245  
APE 4676Z

Tel. : +33 380 48 65 68  
contact@louss.fr  
[www.louss.fr](http://www.louss.fr)  
Best group

Siège social / Head Office  
PA Les Terres d'Or  
Route de Saint Philibert  
21220 Gevrey Chambertin - FRANCE