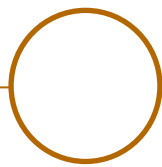


LOUSS

Lighting Emotion



DOMINO

The autonomous ultra-intensive cube





1 LED version

5 LED version

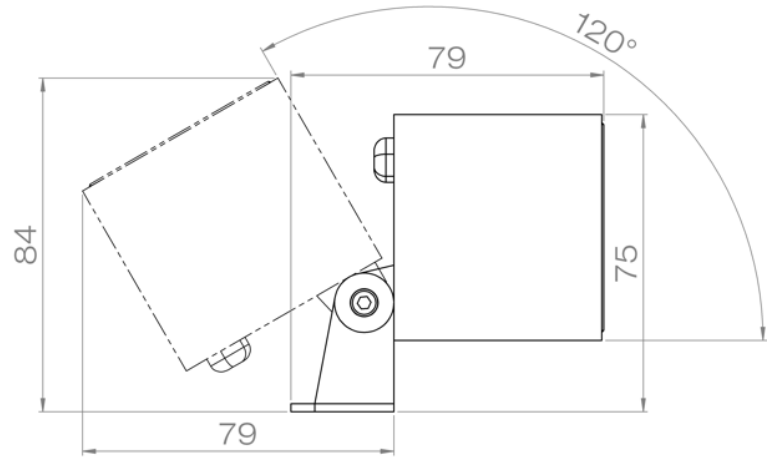
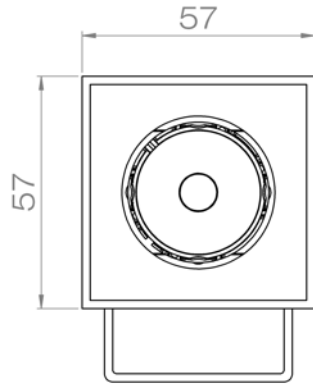
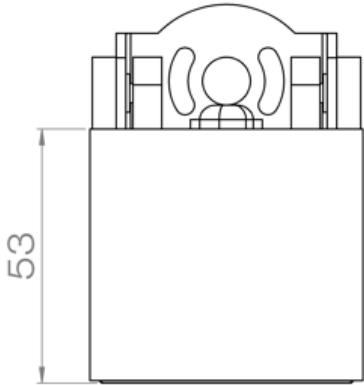
DOMINO

Range	Adjustable surface mounted projector for architectural floodlighting
Description	Black aluminium body (other finish upon request) Glass diffuser Black aluminium bracket Optional accessories: visor
Dimension	1 LED version : 57x51x86mm 5 LED version : 110x80x132mm
Net weight	1 LED version : 0.400 kg 5 LED version : 1.600 kg
LED characteristics	1 or 5 LED : 2700K – 3000K – 3500K- 4000K (other upon request) CRI 80, 90 or 95
Optical beam	3° - 6° - 8° - 10° - 15° - 25° - 35° - 45° - 60° - Elliptical (combination of various beams upon request)
Connection	Delivered with 1m cable (more length upon request)
Integrated power supply	230V DMX 48V upon request
LED power	2W per LED - 12W max
Use limitations	The product must be installed into a ventilated area. Any use with an ambient temperature higher than the specified ambient temperature (Ta) would lead to a more rapid mortality of the product and the withdrawal of our guarantees. The drivers, if not delivered by LOuss, must be approved before use.
Warranty	Life span: L80B10 at 50,000 hours (80% remaining flux) at 25°C ambient temperature. 3-year parts and labour warranty. The warranty does not apply to products that have been opened, modified or repaired and does not cover the effects of a wrong connection, careless, abusive handling, overvoltage, lighting injury, as well as the normal wear of the product. All products are electrically tested and received a functional burn-in.

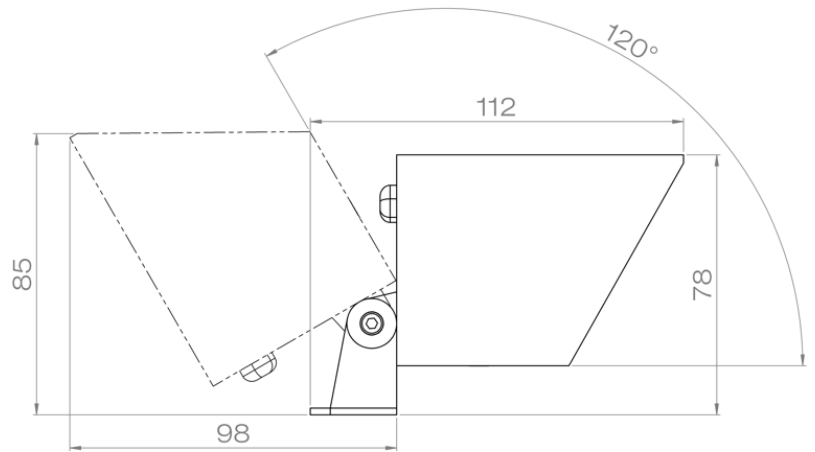
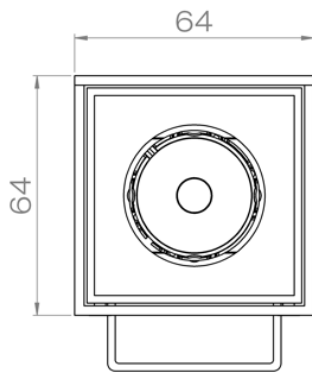
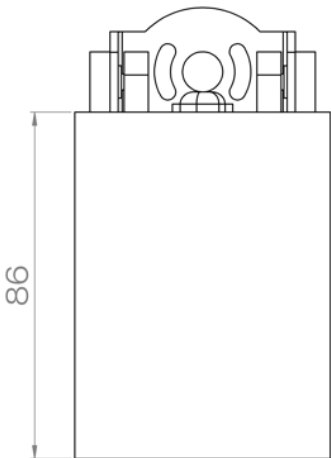
All the connections have to be made before powering up, otherwise the luminaire could be seriously damaged.



DOMINO1 Simple



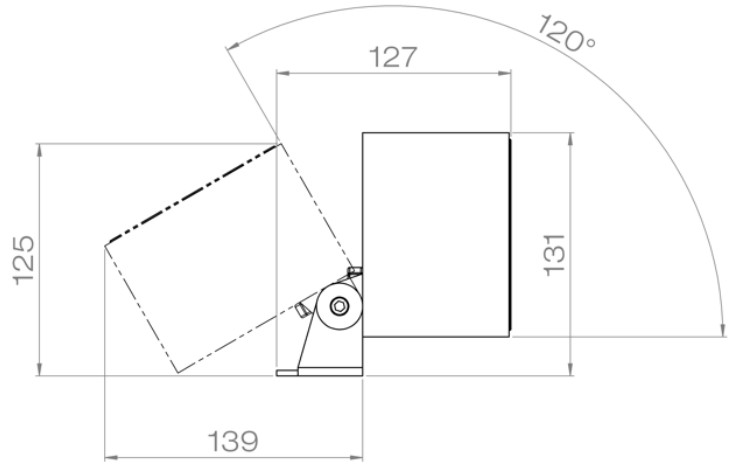
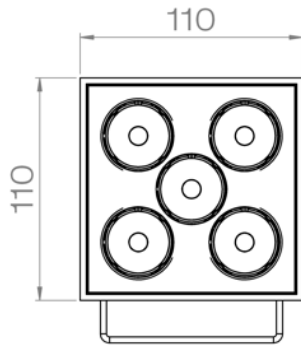
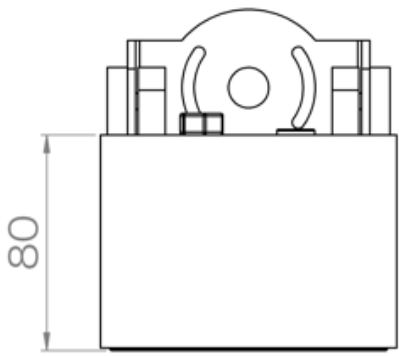
DOMINO1 Visor



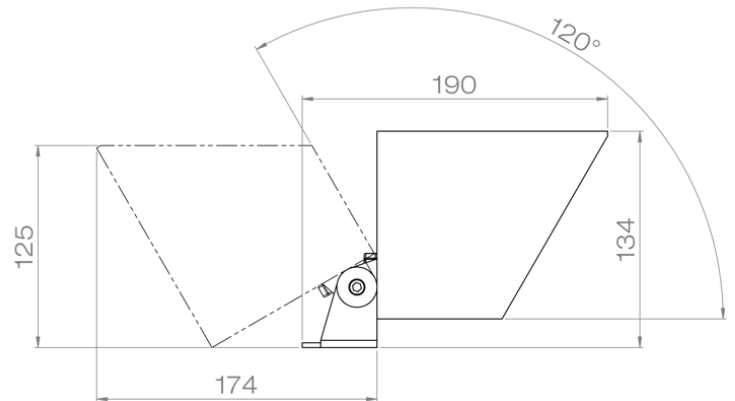
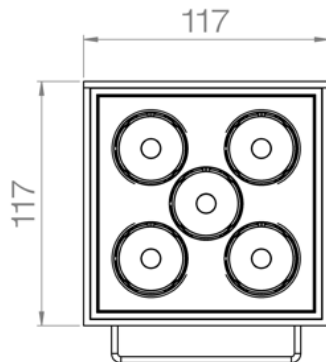
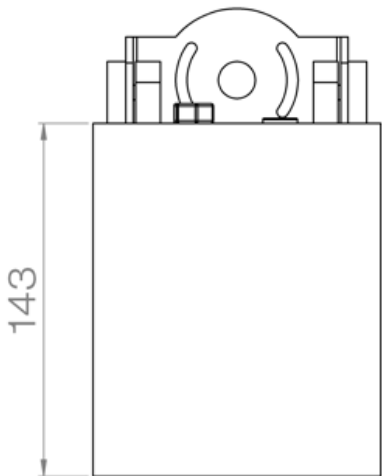
All the connections have to be made before powering up,
otherwise the luminaire could be seriously damaged.



DOMINO5 Simple



DOMINO5 Visor



All the connections have to be made before powering up,
otherwise the luminaire could be seriously damaged.