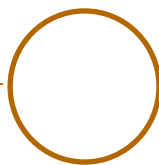


LOUSS

Lighting Emotion



UNDO



UNDO

Range	Versatile decorative luminaire for accent lighting
Description	<p>High-power LED spotlight for precision lighting and window displays:</p> <ul style="list-style-type: none"> • Undo Solo • Undo Multiple • Undo Flush Mount • Undo Trimless Magnetic • Undo Trimless Spring Plungers <p>See descriptions below</p> <p>Matt black finish (other colours on request)</p>
LED characteristics	<p>Single LED or 4in1 LED 2200K - 2700K - 3000K - 3500K - 4000K - 4500K - 5700K or mix of colour temperatures (others on request)</p> <p>CRI 80, 90, 92, 95 depending on version</p>
Optical beam	<p>3,3° - 7° - 11° - 16° - 17° - 21° - 23° - 29° - 31° - 33° - 35° - 42° - 56° - 60° - Asymétrique</p> <p>Special filters, glass, honey comb upon request, according to version</p>
Connection	<p>Supplied with 0.5m cable (other upon request)</p> <p>Individual connection or connection in series on external constant current driver</p>
Separate power supply	700mA max constant current driver
LED power	<p>350mA : 5W</p> <p>500mA : 7W</p> <p>700mA : 9W</p>
Use limitations	<p>The product must be installed into a ventilated area. Any use with an ambient temperature higher than the specified ambient temperature (Ta) would lead to a more rapid mortality of the product and the withdrawal of our guarantees.</p> <p>The drivers, if not delivered by LOuss, must be approved before use.</p>
Warranty	<p>Life span: L80B10 at 50,000 hours (80% remaining flux) at 25°C ambient temperature. 3-year parts and labour warranty.</p> <p>The warranty does not apply to products that have been opened, modified or repaired and does not cover the effects of a wrong connection, careless, abusive handling, overvoltage, lighting injury, as well as the normal wear of the product.</p> <p>All products are electrically tested and received a functional burn-in.</p>

All the connections have to be made before powering up, otherwise the luminaires could be seriously damaged.

2/11

LOuss

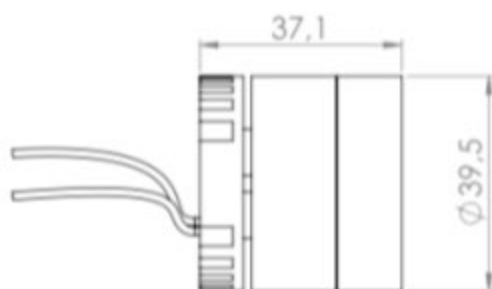
Last update : 2024/04 the 17th

Firalux & LOuss brands

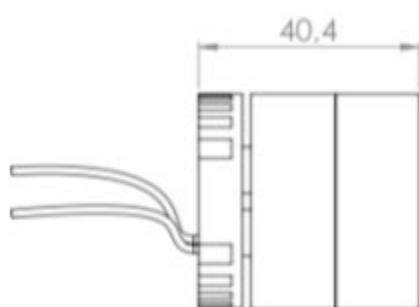
SARL, Capital 40 000€
RCS DIJON B 503 367 245
TVA/VAT n°: FR24 503 367 245
APE 4676Z

Tel. : +33 380 48 65 68
contact@louss.fr
www.louss.fr
Best group

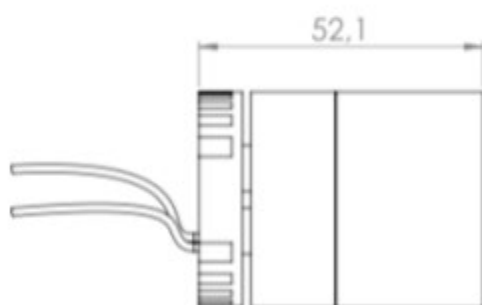
Siège social / Head Office
PA Les Terres d'Or
Route de Saint Philibert
21220 Gevrey Chambertin - FRANCE



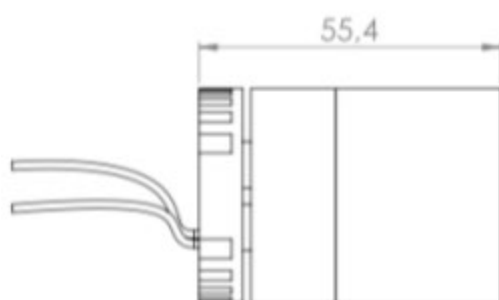
Standard version



Special versions
(glass, filter, honey comb...)

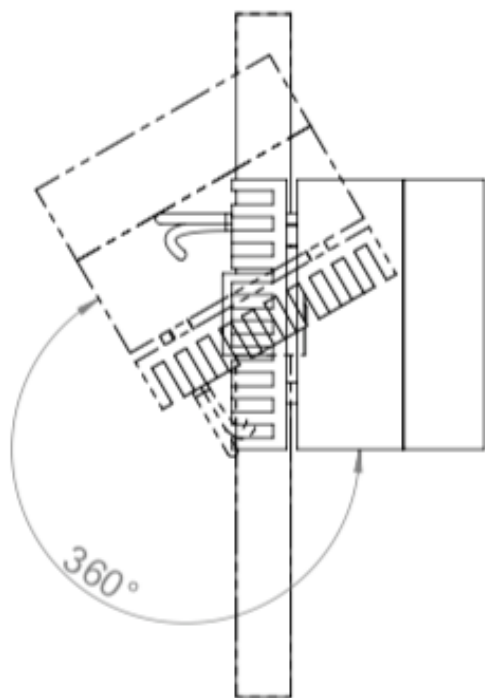
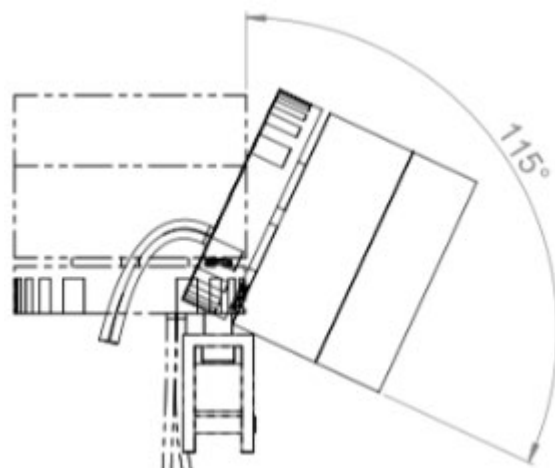
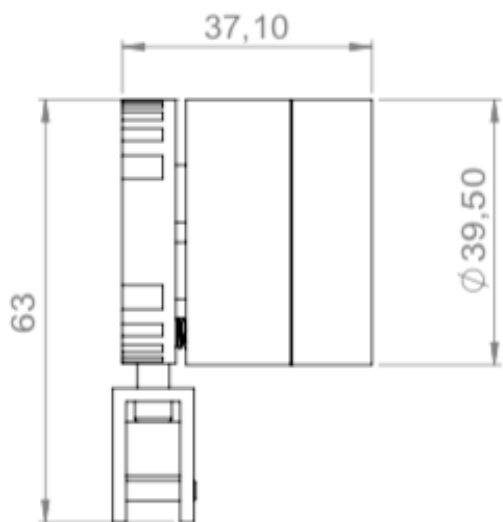


Low luminance version



Special low luminance versions
(glass, filter, honey comb...)

All the connections have to be made before powering up, otherwise the luminaires could be seriously damaged.



All the connections have to be made before powering up, otherwise the luminaires could be seriously damaged.

4/11

LOUSS

Last update : 2022/September the 7th

Firalux & LOUSS brands

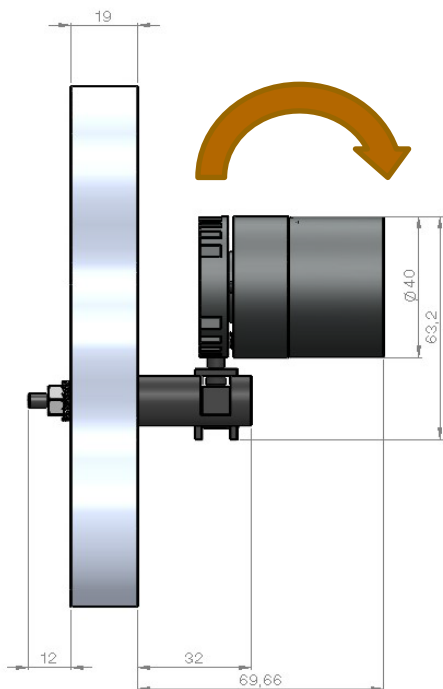
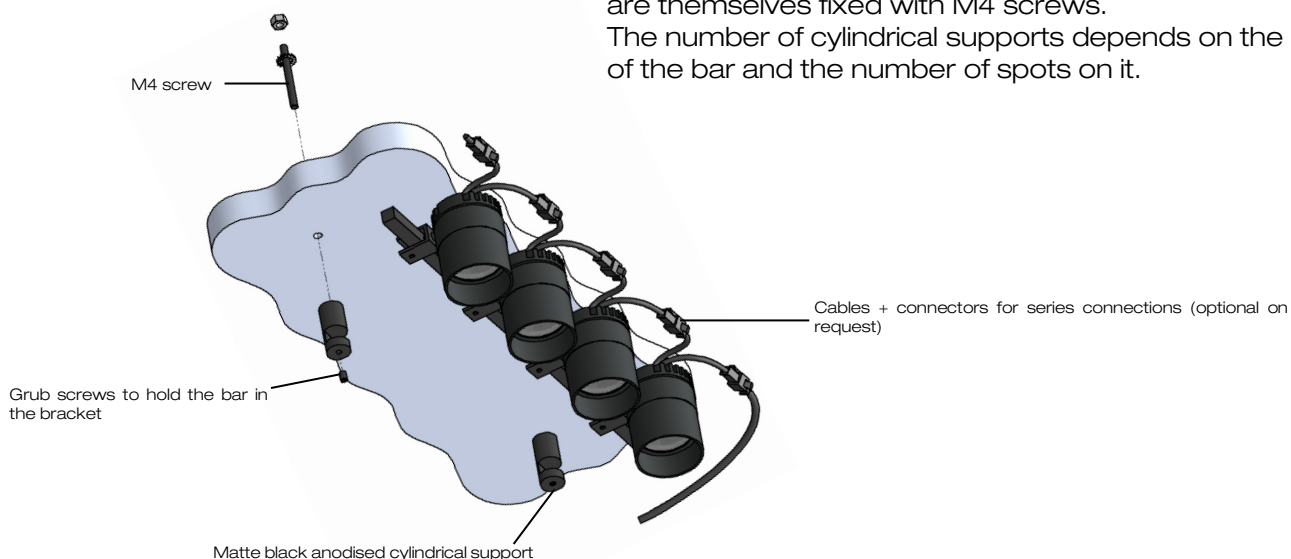
SARL, Capital 40 000€
RCS DIJON B 503 367 245
TVA/VAT n°: FR24 503 367 245
APE 4676Z

Tel. : +33 380 48 65 68
contact@louss.fr
www.louss.fr
Best group

Siège social / Head Office
PA Les Terres d'Or
Route de Saint Philibert
21220 Gevrey Chambertin - FRANCE



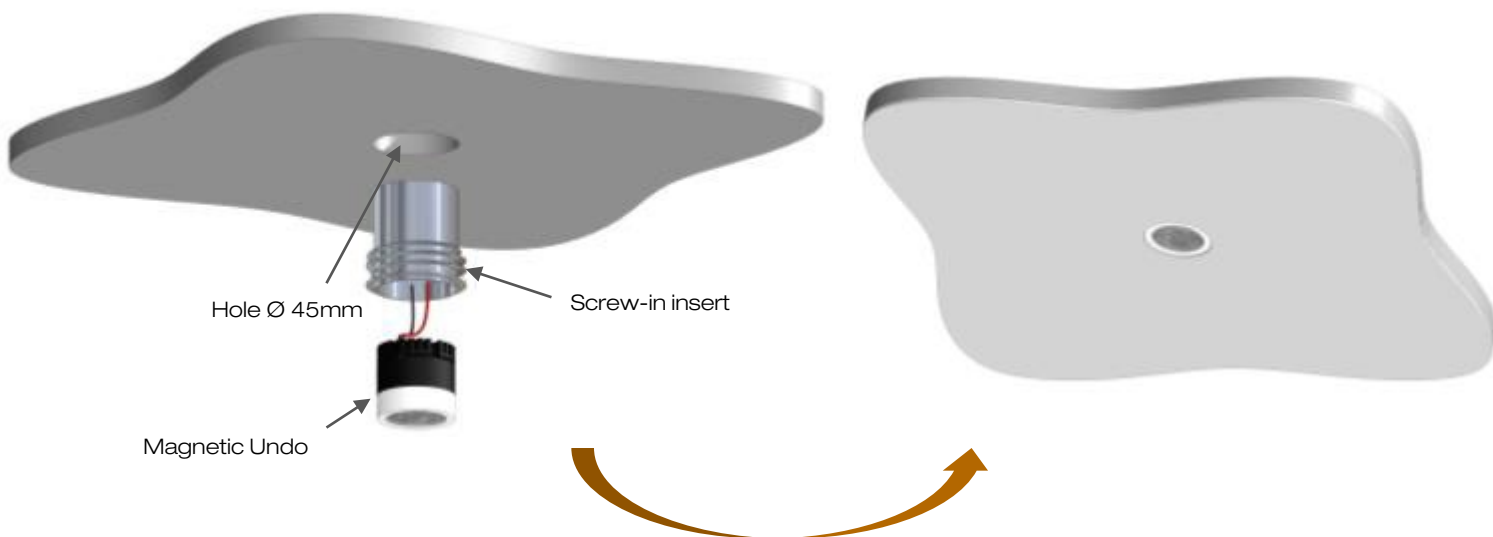
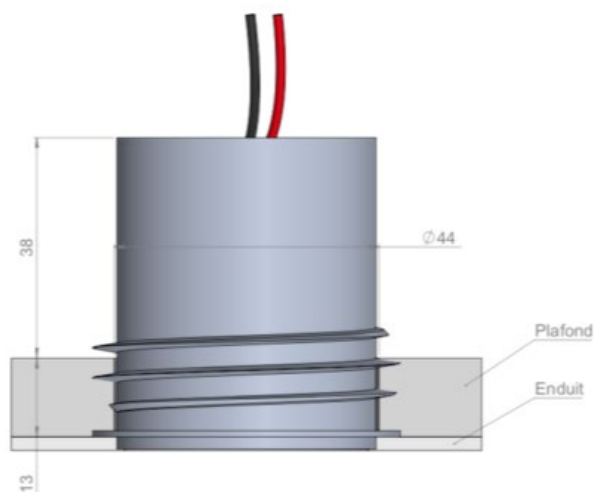
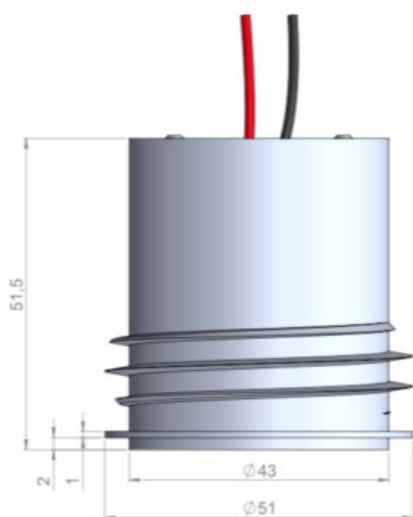
The bar is inserted and held in cylindrical supports, which are themselves fixed with M4 screws.
 The number of cylindrical supports depends on the length of the bar and the number of spots on it.



For mounting on a ceiling or vertical wall.
 The bar can be oriented differently depending on the support. Spotlight to the right (sketch opposite) or downward (rotate the bar 90° clockwise)

UNDO

Trimless Magnetic



All the connections have to be made before powering up, otherwise the luminaires could be seriously damaged.

LOUSS

Last update : 2022/September the 7th

6/11

Firalux & LOUSS brands

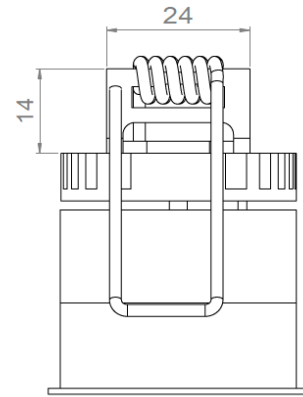
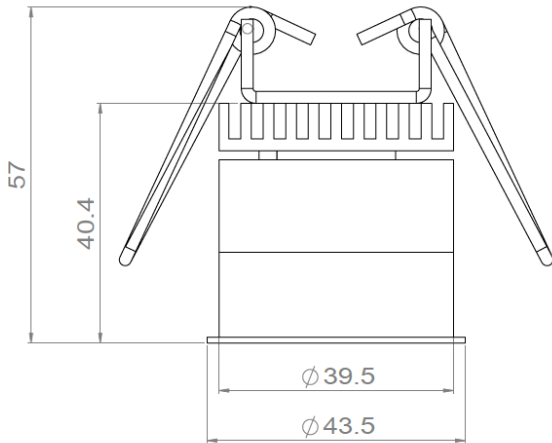
SARL, Capital 40 000€
RCS DIJON B 503 367 245
TVA/VAT n°: FR24 503 367 245
APE 4676Z

Tel. : +33 380 48 65 68
contact@louss.fr
www.louss.fr
Best group

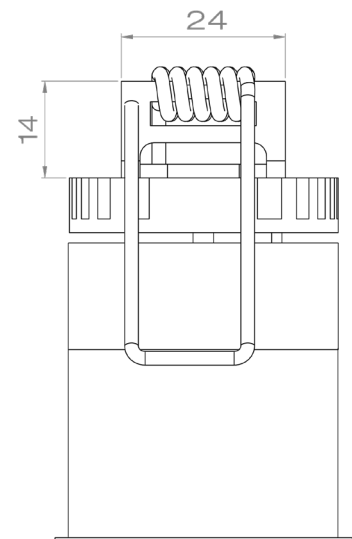
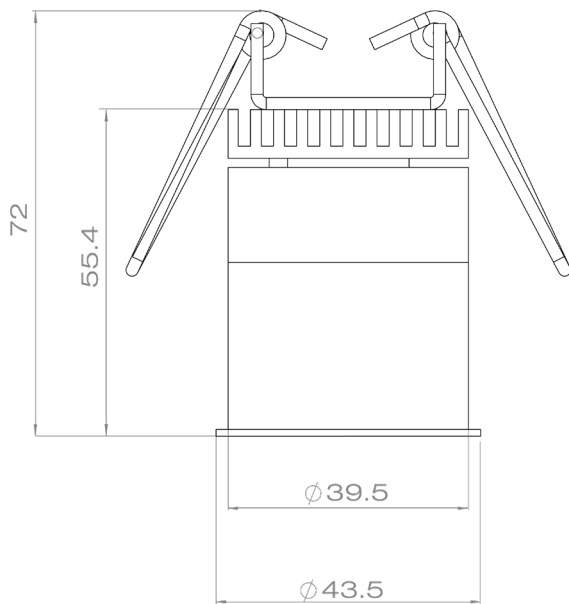
Siège social / Head Office
PA Les Terres d'Or
Route de Saint Philibert
21220 Gevrey Chambertin - FRANCE



UNDO Flush-mounted

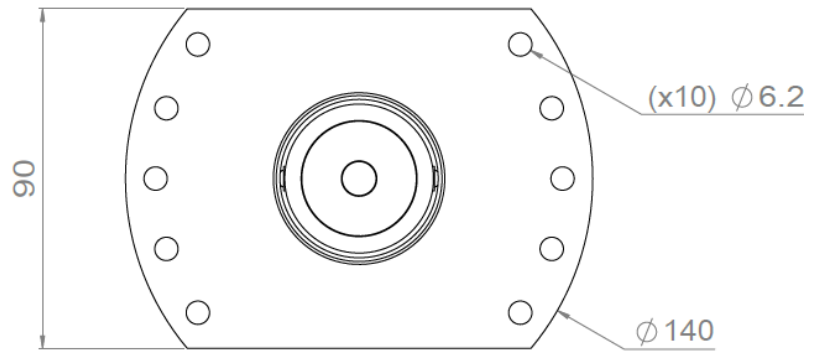
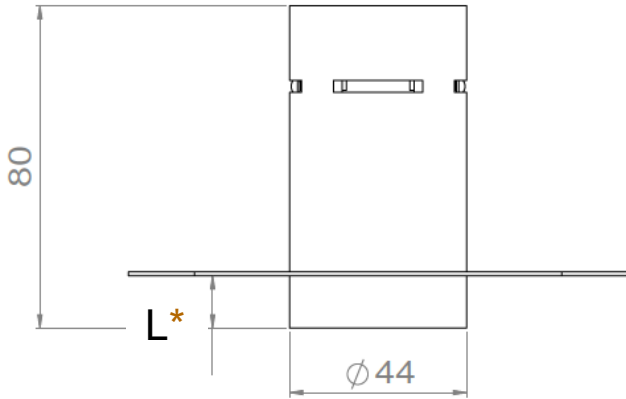


UNDO BASSE LUMINANCE Flush-mounted

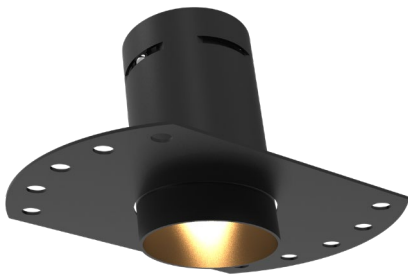




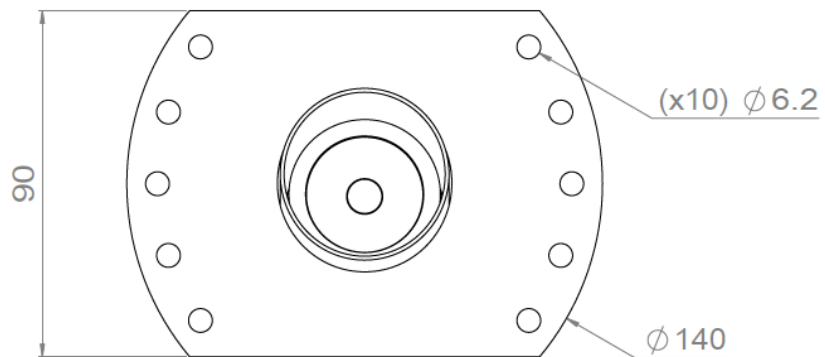
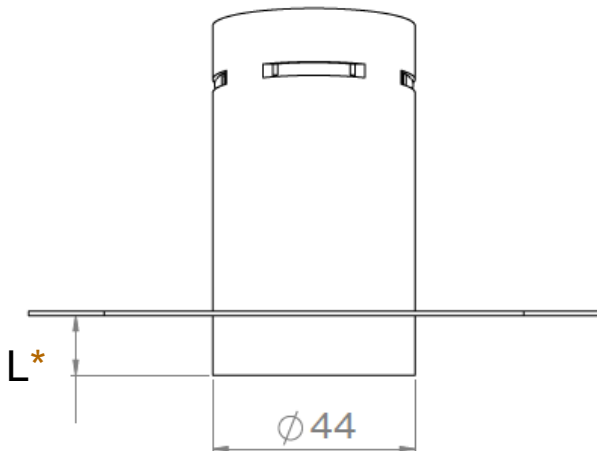
UNDO Trimless Spring Plungers 0°



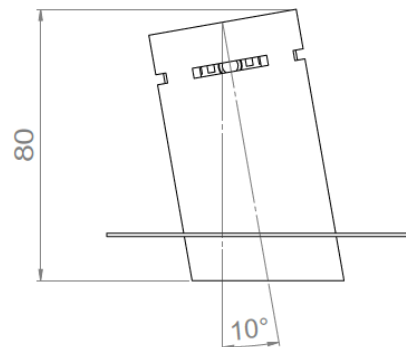
L* 1mm to 13mm to be specified when ordering
(other lengths upon request)



UNDO Trimless Spring Plungers 10°



L* 1mm to 13mm to be specified when ordering
(other lengths upon request)



All the connections have to be made before powering up, otherwise the luminaires could be seriously damaged.

LOUSS

Last update : 2022/September the 7th

8/11

Firalux & LOUSS brands

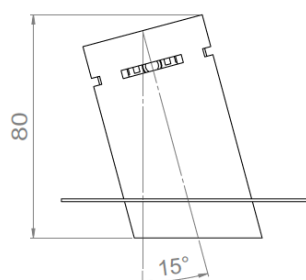
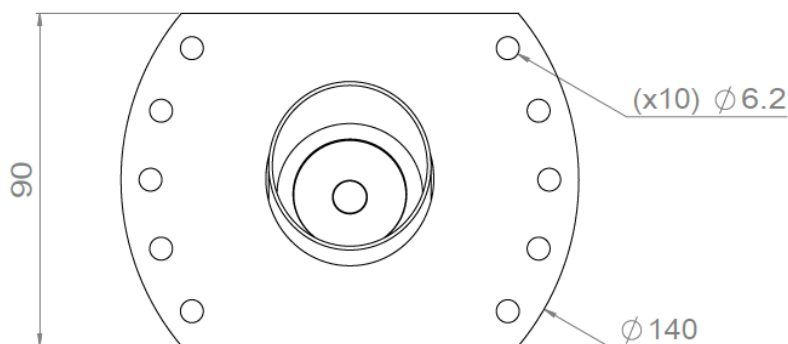
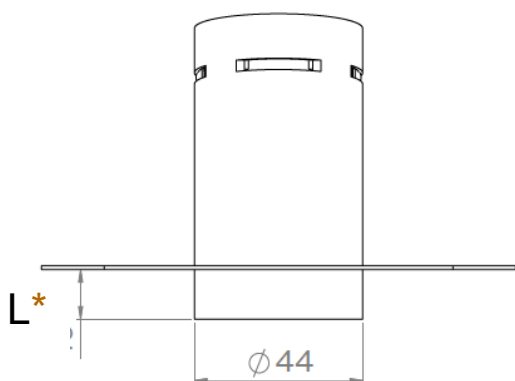
SARL, Capital 40 000€
RCS DIJON B 503 367 245
TVA/VAT n°: FR24 503 367 245
APE 4676Z

Tel. : +33 380 48 65 68
contact@louss.fr
www.louss.fr
Best group

Siège social / Head Office
PA Les Terres d'Or
Route de Saint Philibert
21220 Gevrey Chambertin - FRANCE



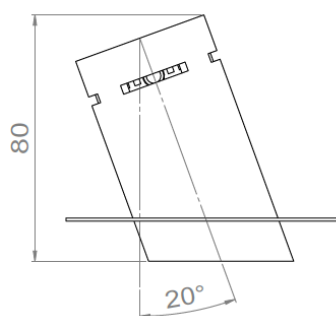
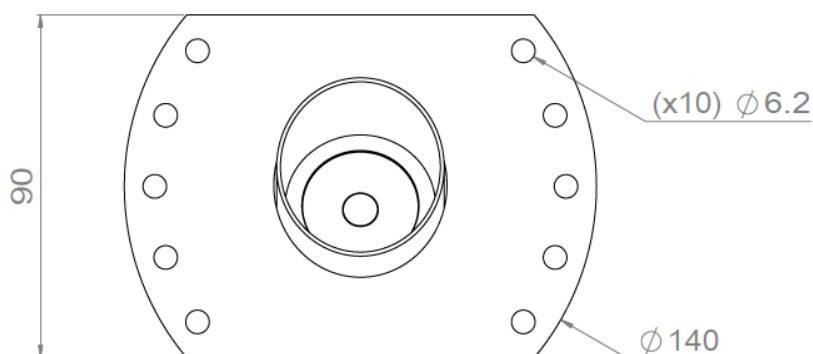
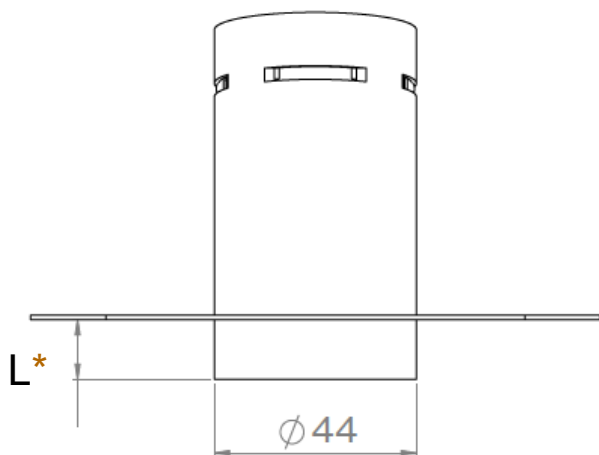
UNDO Spring plungers trimless 15°



L* 1mm to 13mm to be specified when ordering
(other lengths upon request)



UNDO Spring plungers trimless 20°



L* 1mm to 13mm to be specified when ordering
(other lengths upon request)

All the connections have to be made before powering up, otherwise the luminaires could be seriously damaged.

LOUSS

Last update : 2022/September the 7th

9/11

Firalux & LOUSS brands

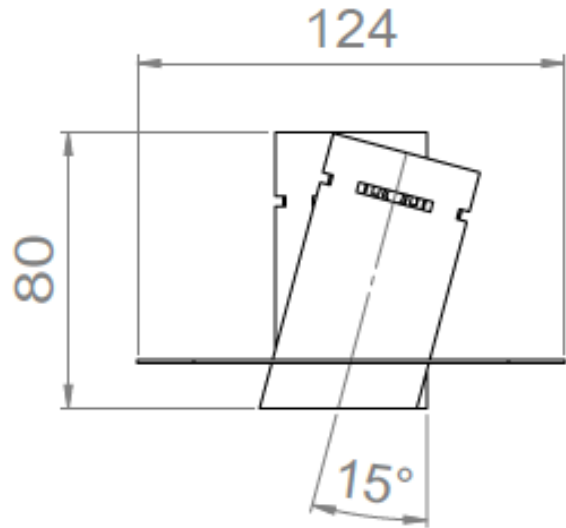
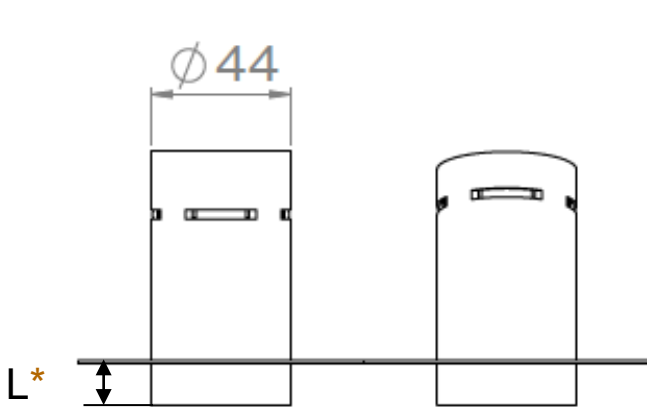
SARL, Capital 40 000€
RCS DIJON B 503 367 245
TVA/VAT n°: FR24 503 367 245
APE 4676Z

Tel. : +33 380 48 65 68
contact@louss.fr
www.louss.fr
Best group

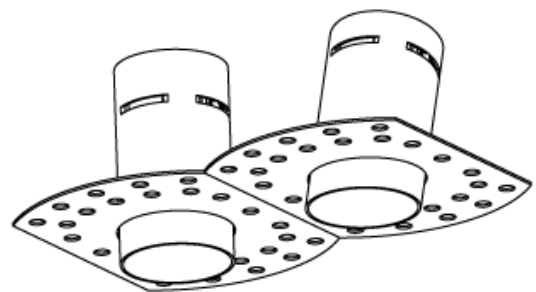
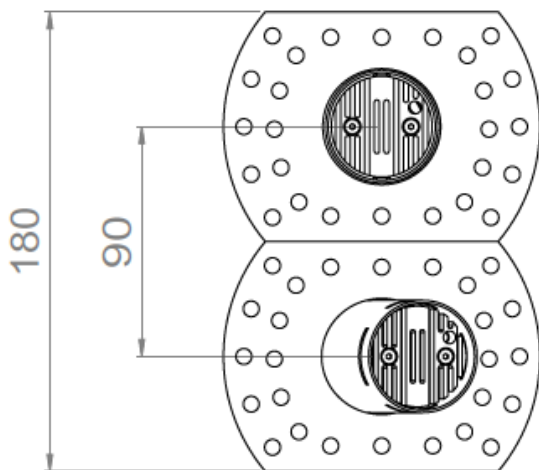
Siège social / Head Office
PA Les Terres d'Or
Route de Saint Philibert
21220 Gevrey Chambertin - FRANCE



UNDO
Double Spring plungers
trimless 0°-15°



L^* : 1mm or 13mm to be specified when ordering
 (other lengths on request)



Other orientation angles on request

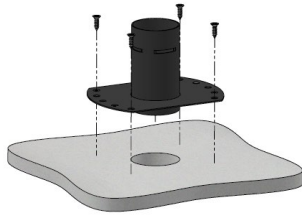


UNDO

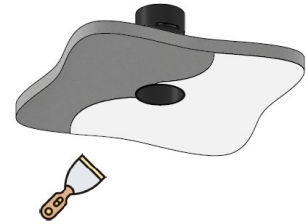
Spring plungers trimless

Installation's instructions

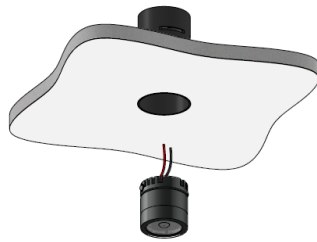
Installation from above



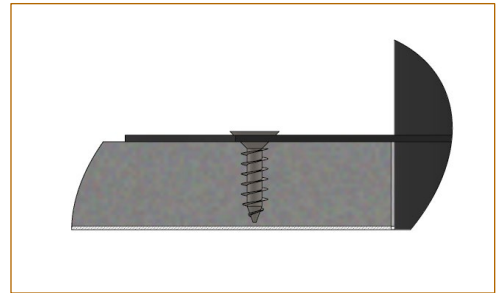
Install the recessed box from above and screw it into the surface



Cover the lateral plates of the recessed box by coating and painting



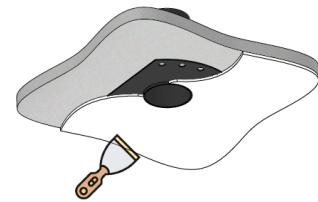
Insert the spotlight from below



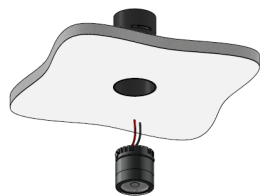
Installation from below



Install the recessed box from below and screw it into the surface



Cover the lateral plates of the recessed box by coating and painting



Insert the spotlight from below

