

LOUSS

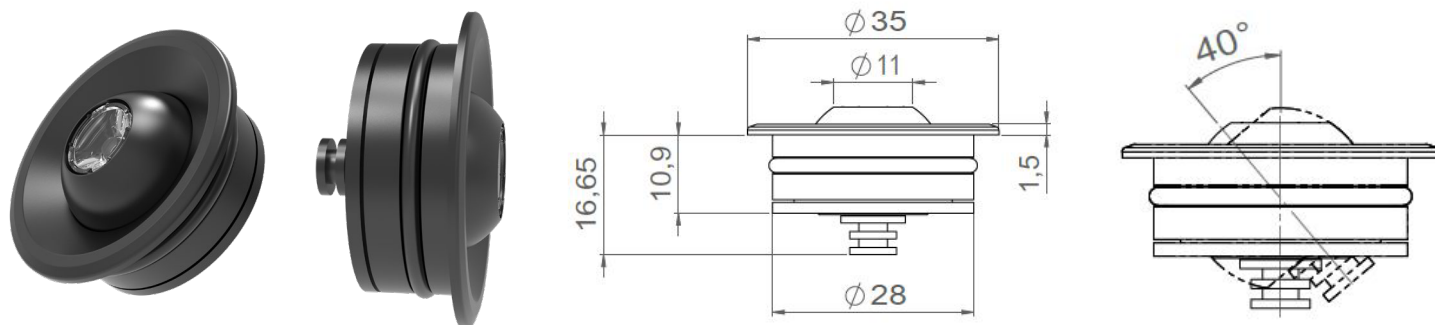
Lighting Emotion



SATURNE

Ultra compact and adjustable
recessed LED luminaire





SATURNE

Range	Ultra compact recessed and adjustable light fixture for accent lighting
Description	Body in natural or black anodised aluminium (other finishing upon request) Adjustable mounting system
Dimensions	External diameter: 35mm Fits into 19mm thick panel
Net Weight	0.022 kg
LED characteristics	1 LED: 2700K - 3000K - 4000K (other LED colours upon request)
Optical beam	15° - 25° - 40° - 80° (other optical beam upon request)
Connection	Delivered with 0.5m standard cable (more length upon request) Individual connection or connection in series on external constant current driver
Separate power supply	350mA - 500mA
LED Power	350mA : 1.2W 500mA : 1.8W
Use limitations	The product must be installed into a ventilated area. Any use with an ambient temperature higher than the specified ambient temperature (Ta) would lead to a more rapid mortality of the product and the withdrawal of our guarantees. The drivers, if not delivered by LOuss, must be approved before use.
Warranty	Life span: L80B10 at 50,000 hours (80% remaining flux) at 25°C ambient temperature. 3-year parts and labour warranty. The warranty does not apply to products that have been opened, modified or repaired and does not cover the effects of a wrong connection, careless, abusive handling, overvoltage, lighting injury, as well as the normal wear of the product. All products are electrically tested and received a functional burn-in.

All the connections have to be made before powering up,
otherwise the luminaire could be seriously damaged.

LOuss

Last update : 20/09/2018

Firalux & LOuss brands

SARL, Capital 40 000€
RCS DIJON B 503 367 245
TVA/VAT n°: FR24 503 367 245
APE 4676Z

Tel. : +33 380 48 65 68
contact@louss.fr
www.louss.fr
Best group

Siège social / Head Office
PA Les Terres d'Or
Route de Saint Philibert
21220 Gevrey Chambertin - FRANCE