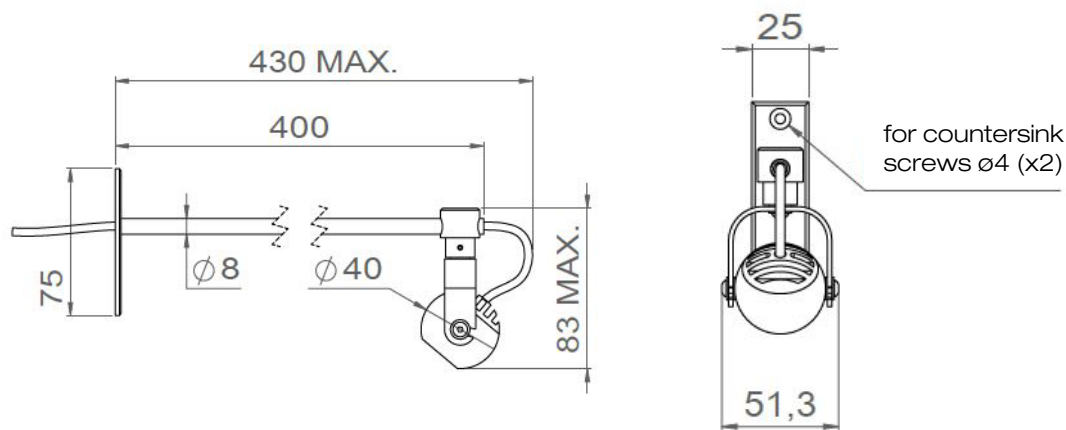


ROLLED GLISS





ROLLED GLISS

Range	LED spotlight for highlighting architectural details
Description	Projector fixed on rectangular plate Rotating ball on bracket Rod lenght on request Stone hue RAL 1013 matt (other upon request)
External diameter	100mm
LED characteristics	1 LED or 3 LED 2700K - 3000K - 4000K - 5000K CRI : 80
Optical beam	Intensive - Semi intensive - Extensive - Elliptic
Connection	Delivered with 1m cable
Separate power supply	700mA max constant current driver
LED power	1 LED : 1.2W at 350mA - 1.8W at 500mA - 2.4W at 700mA 3 LED : 2.4W at 350mA
Use limitations	The product must be installed into a ventilated area. Any use with an ambient temperature higher than the specified ambient temperature (Ta) would lead to a more rapid mortality of the product and the withdrawal of our guarantees. The drivers, if not delivered by LOuss, must be approved before use.
Warranty	Life span: L80B10 at 50,000 hours (80% remaining flux) at 25°C ambient temperature. 3-year parts and labour warranty. The warranty does not apply to products that have been opened, modified or repaired and does not cover the effects of a wrong connection, careless, abusive handling, overvoltage, lighting injury, as well as the normal wear of the product. All products are electrically tested and received a functional burn-in.

All the connections have to be made before powering up,
otherwise the luminaires could be seriously damaged.

LOuss

Last update : 20/04/2021

Firalux & LOuss brands

SARL, Capital 40 000€
RCS DIJON B 503 367 245
TVA/VAT n°: FR24 503 367 245
APE 4676Z

Tel. : +33 380 48 65 68
contact@louss.fr
www.louss.fr
Best group

Siège social / Head Office
PA Les Terres d'Or
Route de Saint Philibert
21220 Gevrey Chambertin - FRANCE