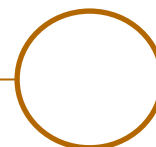
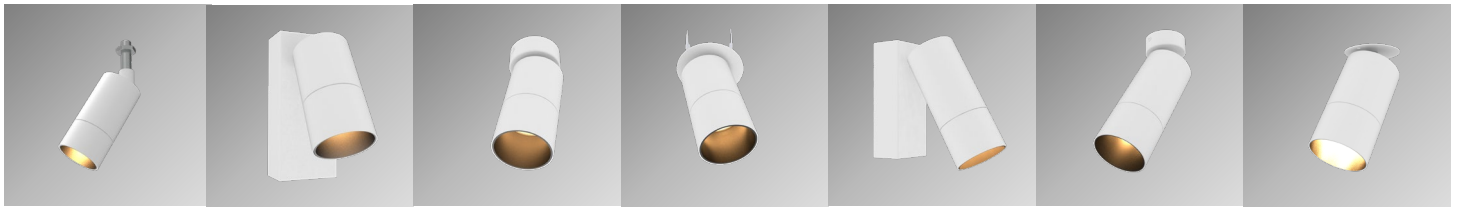




AURORE *Wall-mounted versions*





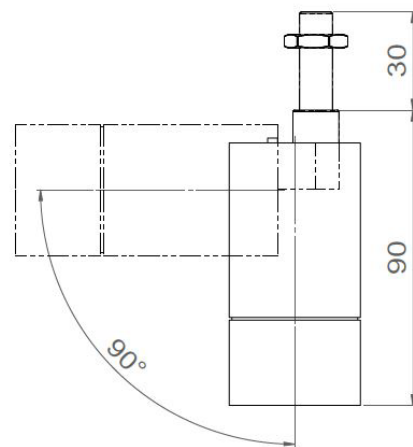
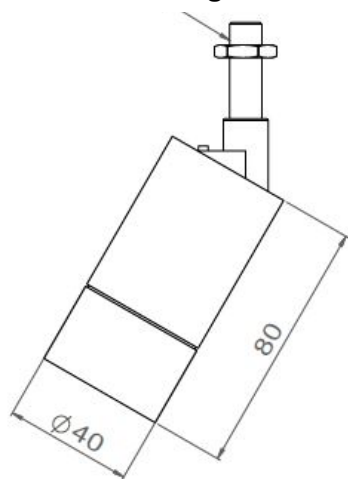
AURORE Wall-mounted versions

Common characteristics

Range	Highly flexible recessed ceiling downlight for general & accent lighting
LED characteristics	2700K – 3000K – 4000K – 5000K MacAdam ellipse: 3 SDCM (standard version) – 2 SDCM (premium version) Flux : 300 lm à 2000 lm selon versions CRI 90 (standard version) – CRI 95, R9 > 90 (premium version) UGR < 15
Use limitations	The product must be installed into a ventilated area. Any use with an ambient temperature higher than the specified ambient temperature (Ta) would lead to a more rapid mortality of the product and the withdrawal of our guarantees. The drivers, if not delivered by LOuss, must be approved before use.
Warranty	Life span: L80B10 at 50,000 hours (80% remaining flux) at 25°C ambient temperature. 3-year parts and labour warranty. The warranty does not apply to products that have been opened, modified or repaired and does not cover the effects of a wrong connection, careless, abusive handling, overvoltage, lighting injury, as well as the normal wear of the product. All products are electrically tested and received a functional burn-in.

All the connections have to be made before powering up,
otherwise the luminaires could be seriously damaged.

Threaded rod M10x1 + fixing nut

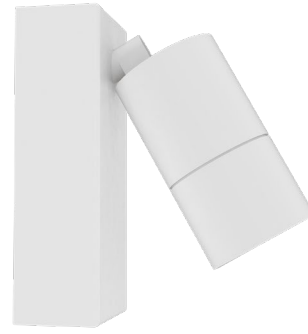
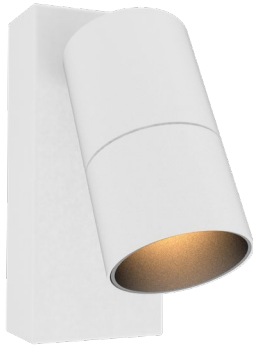


AURORE D40

Pivot version

Description	Low luminance Rotation 360° - Adjustable tilt 30° + 30° White matt finish RAL 9003 (other upon request)
Net weight	0.150 kg
Installation	Fixation through threaded rod M10x1 + nut
Luminous flux	300 to 800 lm
Optical beam	6° - 10° - 15° - 20° - 25° - 30° - 35° - 40° - 55° - 60° - Elliptic Special filters, honey comb grid upon request
Connection	Supplied with 0.50m cable
Separate power supply	350mA to 700mA constant current driver according to selected version Dimmable driver upon request
LED power	3W to 8W

All the connections have to be made before powering up, otherwise the luminaires could be seriously damaged.

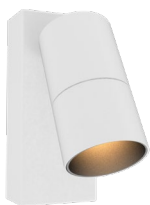


AURORE D52

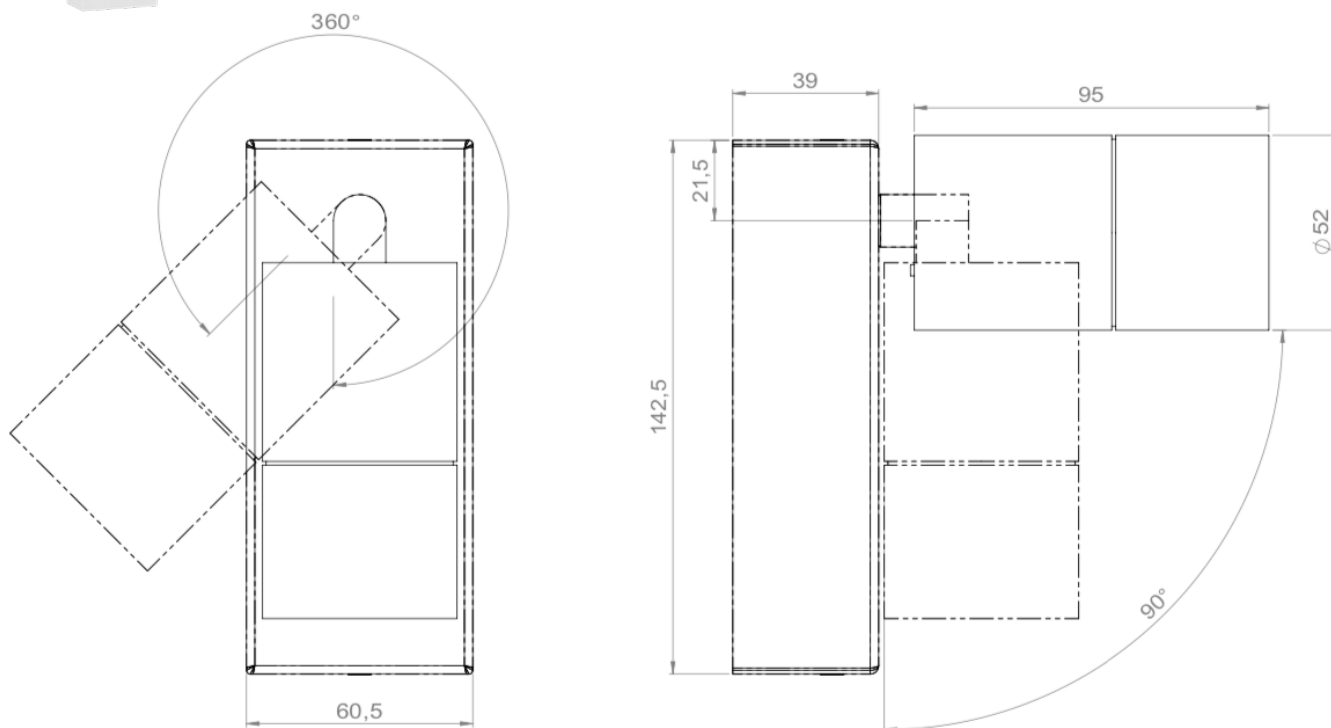
Wall-mounted version

Description	Diameter : 52mm Rotation 360° - Adjustable tilt 90° White finish RAL 9003 (other upon request) 2 dimensions : Lenght 95mm ≤ 13W Lenght 140mm ≤ 20W
Net weight	0.80 kg
Luminous flux	600 to 2000 lm
Optical beam	7° - 12° - 15° - 25° - 30° - 40° - Elliptic Special filters, honey comb grid upon request
Integrated power supply	350mA to 700mA constant current driver integrated in the box
Separate power supply	350mA to 1400mA constant current driver according to version Dimmable driver as an option
LED power	6W to 25W, selected version, driver included

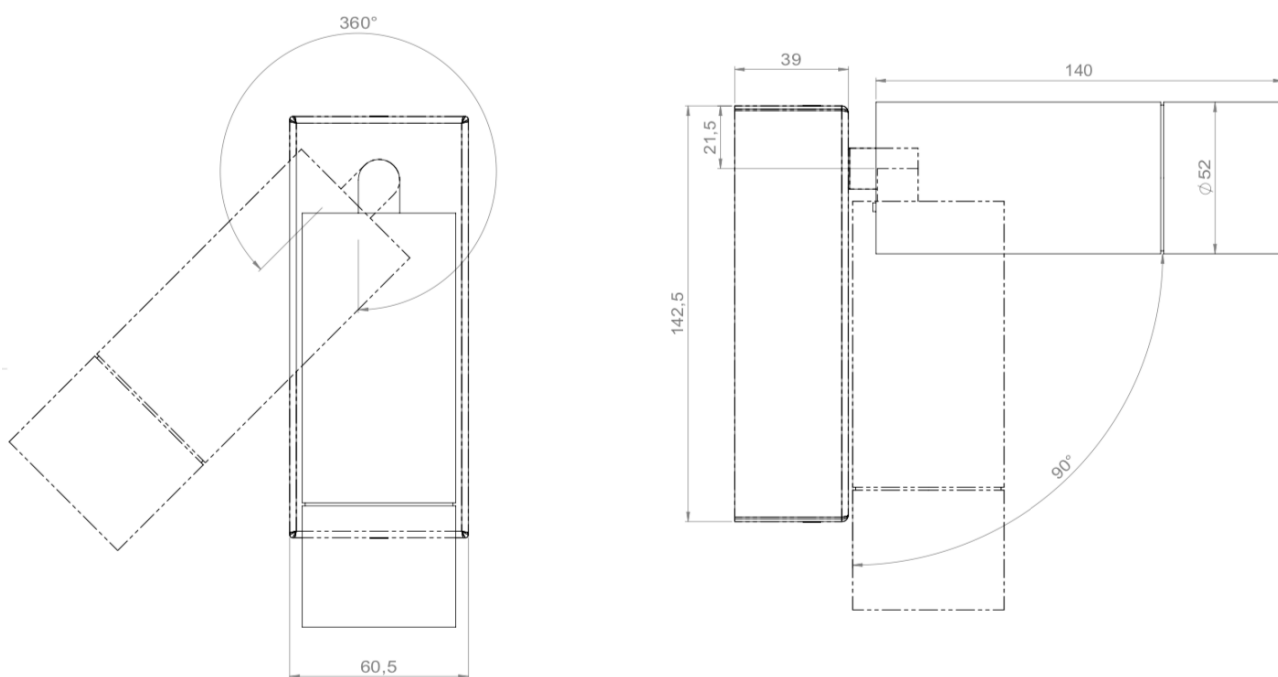
All the connections have to be made before powering up,
otherwise the luminaires could be seriously damaged.



AURORE D52 Rectangular Wall-mounted version



AURORE D52 Rectangular Wall-mounted – Length 95mm ≤ 13W

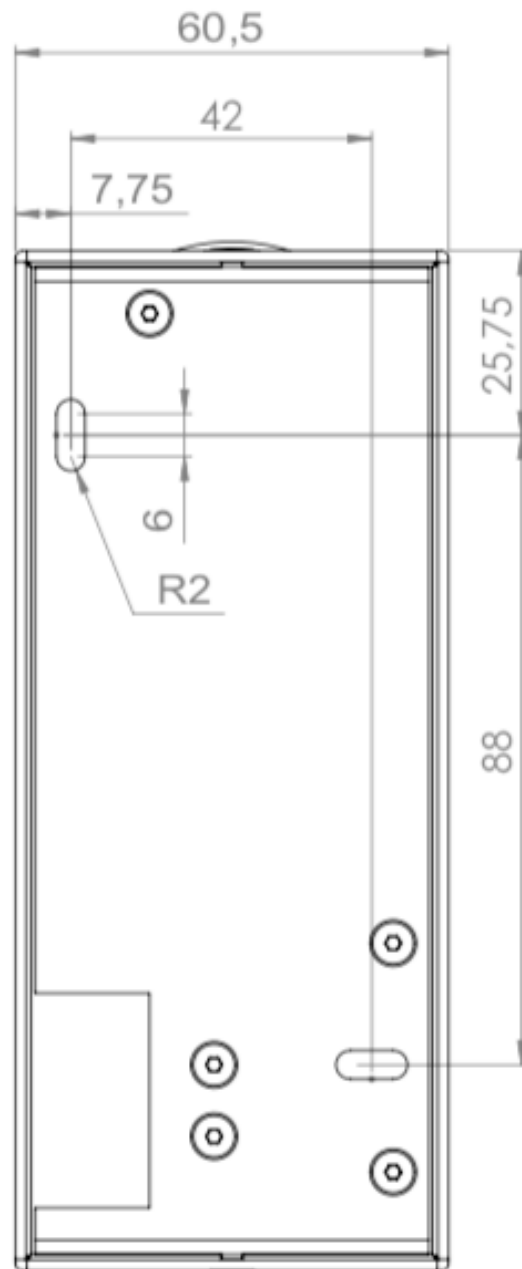


AURORE D52 Rectangular Wall-mounted – Length 140mm ≤ 13W

All the connections have to be made before powering up,
otherwise the luminaires could be seriously damaged.

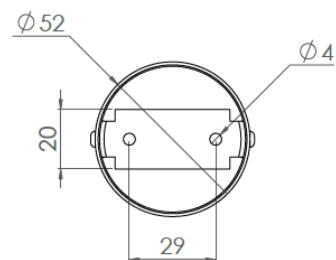
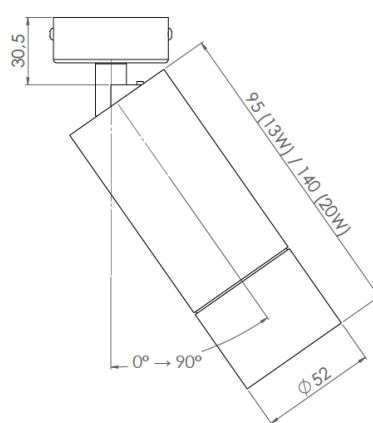
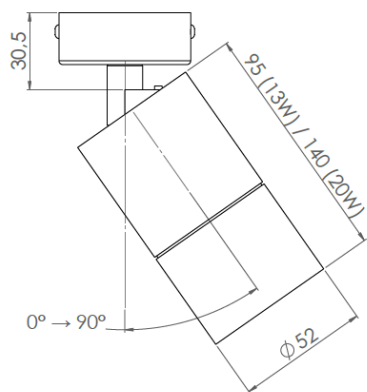


AURORE D52 Rectangular Wall-mounted version



AURORE D52 Rectangular Wall-mounted – Wall-mounted fixing

All the connections have to be made before powering up,
otherwise the luminaires could be seriously damaged.

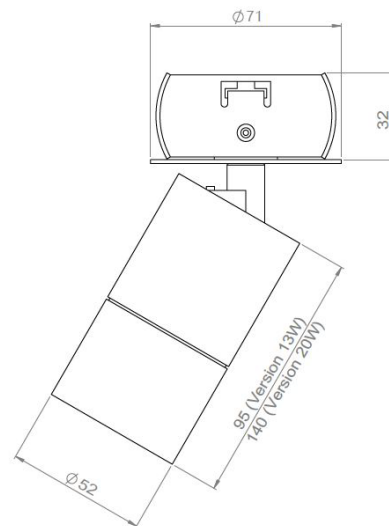


AURORE D52

Cylindrical Wall-mounted version

Description	Low luminance Diameter : 52mm Rotation 360° - Adjustable tilt 90° White finish RAL 9003 (other upon request)
Net weight	0.30 kg
Installation	No specific tools required
Luminous flux	600 to 2.000 lm
Optical beam	7° - 12° - 15° - 25° - 30° - 40° - Asymmetric - Elliptic Special filter upon request
Connection	Connectors in the box
Separate power supply	350mA to 1400mA constant current driver according to selected version Dimmable driver as an option
LED power	6W to 25W

All the connections have to be made before powering up,
otherwise the luminaires could be seriously damaged.

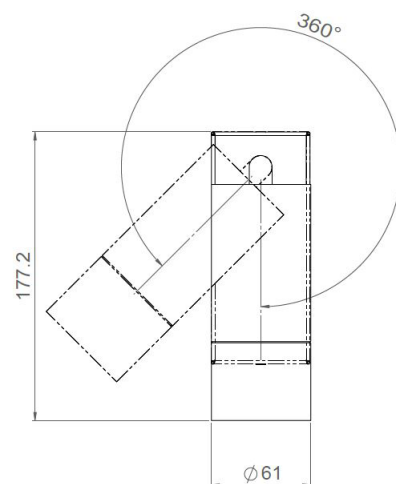
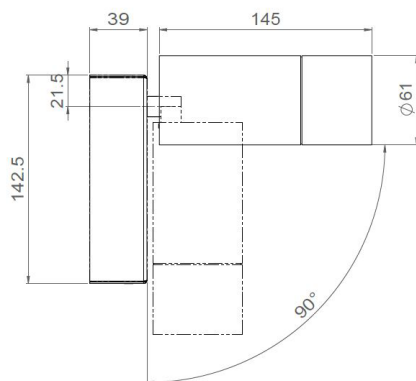


AURORE D52

Recessed Wall-mounted version

Description	Low luminance Diameter : 52mm Rotation 360° - Adjustable tilt 90° White finish RAL 9003 (other upon request)
Net weight	0.30 kg
Installation	No specific tools required
Luminous flux	600 to 2.000 lm
Optical beam	7° - 12° - 15° - 25° - 30° - 40° - Asymmetric - Elliptic Special filter upon request
Connection	Supplied with 0.50m cable
Separate power supply	350mA to 1400mA constant current driver according to version Dimmable driver as an option
LED power	6W to 25W

All the connections have to be made before powering up,
otherwise the luminaires could be seriously damaged.

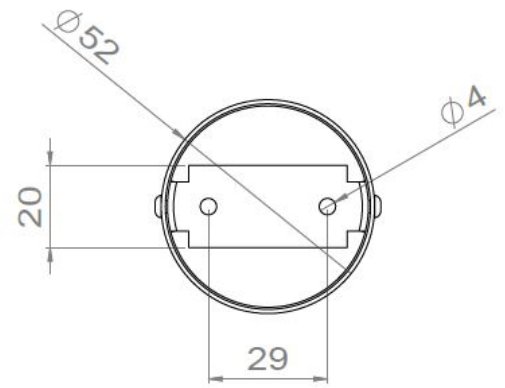
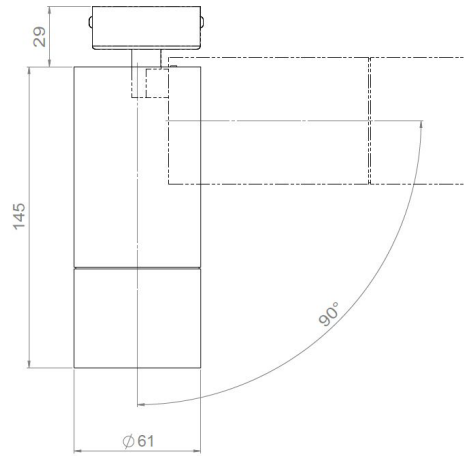


AURORE D60

Rectangular Wall-mounted version

Description	Low luminance Diameter : 61mm Rotation 360° - Adjustable tilt 90° White finish RAL 9003 (other upon request)
Net weight	0.80 kg
Luminous flux	600 to 2000 lm
Optical beam	12° - 15° - 25° - 30° - 40° - Asymmetric - Elliptic Special filter upon request
Connection	Connectors in the box
Integrated power supply	350mA to 700mA constant current driver integrated in the box
Separate power supply	350mA to 1400mA constant current driver according to version Dimmable driver as an option
LED power	6W to 25W

All the connections have to be made before powering up,
otherwise the luminaires could be seriously damaged.

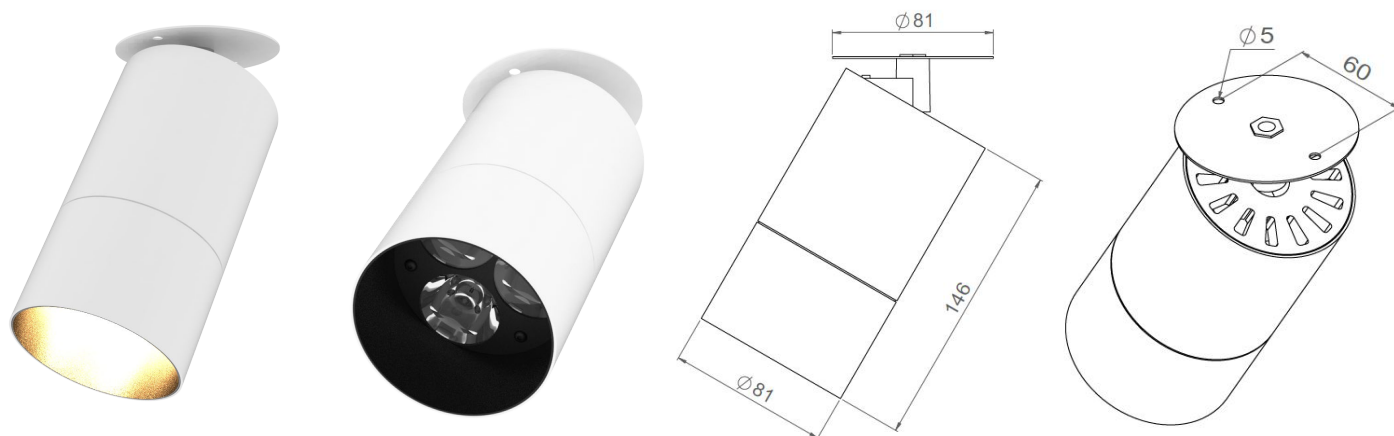


AURORE D60

Cylindrical Wall-mounted version

Description	Low luminance Diameter : 61mm Rotation 360° - Adjustable tilt 90° White finish RAL 9003 (other upon request)
Net weight	0.80 kg
Luminous flux	600 to 2000 lm
Optical beam	7° - 12° - 15° - 25° - 30° - 40° - Elliptic - Special filter upon request
Connection	Connectors in the box
Separate power supply	350mA to 1400mA constant current driver according to version Dimmable driver as an option
LED power	6W to 25W

All the connections have to be made before powering up,
otherwise the luminaires could be seriously damaged.



AURORE D82

Disk Wall-mounted version

Description	Low luminance Diameter : 81 mm Rotation 360° - Adjustable tilt 45° + 45° White finish RAL 9003 (other upon request)
Net weight	0.90 kg
Luminous flux	2300 to 2600 lm
Optical beam	20° - 30°
Connection	Supplied with 0.50m of 8-conductor cable Daisy-chain option upon request (2 input/output cables for serial wiring)
Separate power supply	Remote constant current DMX driver 700mA max
LED power	35W

All the connections have to be made before powering up,
otherwise the luminaires could be seriously damaged.

LOUSS

Last update : 04.03.2022

11/11

Firalux & LOUSS brands

SARL, Capital 40 000€
RCS DIJON B 503 367 245
TVA/VAT n°: FR24 503 367 245
APE 4676Z

Tel. : +33 380 48 65 68
contact@louss.fr
www.louss.fr
Best group

Siège social / Head Office
PA Les Terres d'Or
Route de Saint Phillibert
21220 Gevrey Chambertin - FRANCE