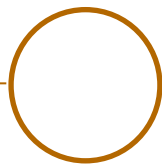


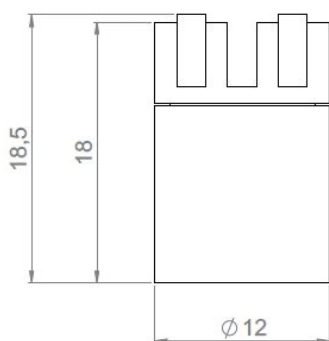
LOUSS

Lighting Emotion

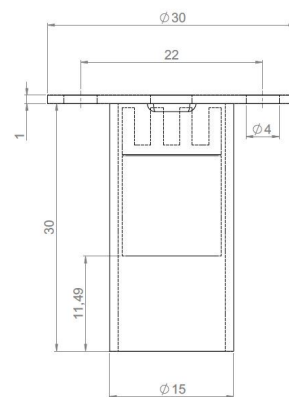


NANO

The miniature spotlight



NANO Simple



NANO Basse luminance

NANO

Range	Recessed spotlight for accent lighting	
Description	Matt finish black anodized aluminium Supplied in standard or low luminance version	
Dimensions	Standard version Diameter : 12mm Length : 18.50mm	Low luminance version Diameter : 15mm Length : 30mm
Net Weight	0.010 kg	
LED characteristics	1 LED : 2700K - 3000K - 3500K - 4000K - 5700K CRI 92 R9>80 1 LED : 2200K CRI 80 MacAdam ellipse : 3SDCM	
Optical beam	16° - 23° - 25° - 33° - 36° - 58° - 69° - 78° - 17°x47°	
Connection	Delivered with 0.5m standard cable Individual connection or connection in series on external constant current driver Optional : Easy plug system (25cm cable + male & female quick connectors)	
Separate power supply	≤ 500mA constant current driver	
LED power	Simple version : 1W at 350mA Low luminance version : 1.6W at 500mA	
Use limitations	The product must be installed into a ventilated area. Any use with an ambient temperature higher than the specified ambient temperature (Ta) would lead to a more rapid mortality of the product and the withdrawal of our guarantees. The drivers, if not delivered by LOuss, must be approved before use.	
Warranty	Life span: L80B10 at 50,000 hours (80% remaining flux) at 25°C ambient temperature. 3-year parts and labour warranty. The warranty does not apply to products that have been opened, modified or repaired and does not cover the effects of a wrong connection, careless, abusive handling, overvoltage, lighting injury, as well as the normal wear of the product. All products are electrically tested and received a functional burn-in.	



All the connections have to be made before powering up, otherwise the luminaires could be seriously damaged.

LOuss

Last update : 16/03/2021

Firalux & LOuss brands

SARL, Capital 40 000€
RCS DIJON B 503 367 245
TVA/VAT n°: FR24 503 367 245
APE 4676Z

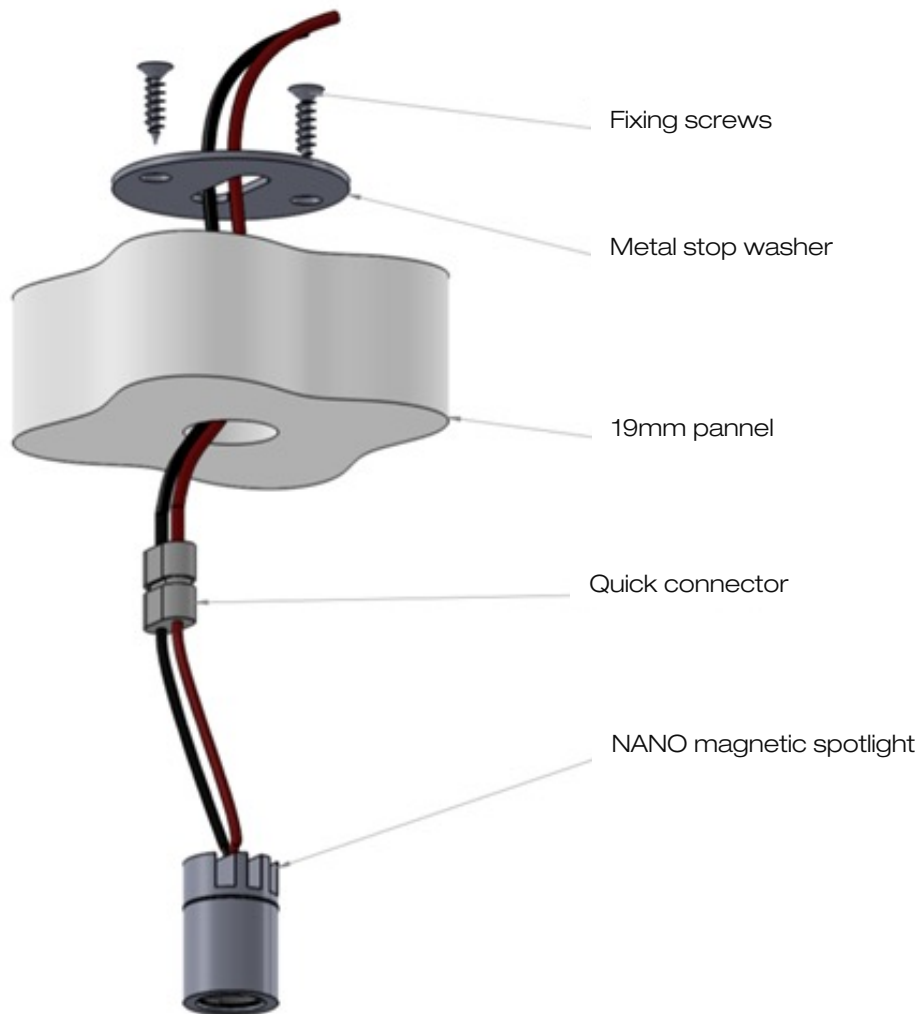
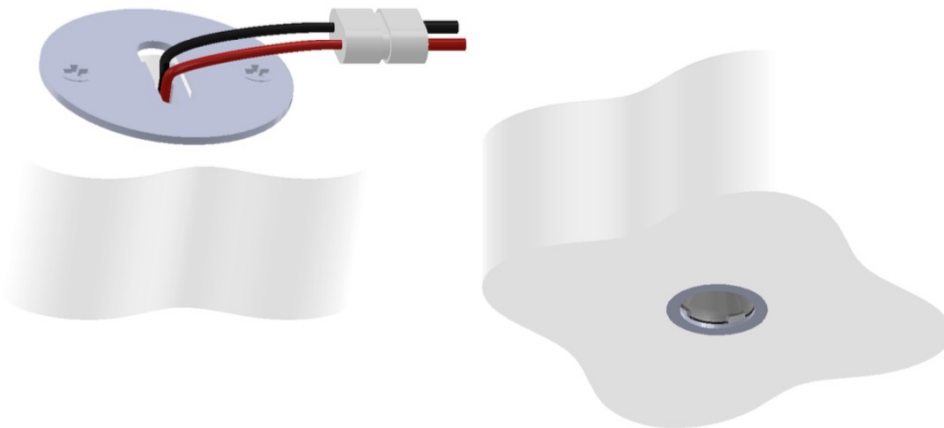
Tel. : +33 380 48 65 68
contact@louss.fr
www.louss.fr
Best group

Siège social / Head Office
PA Les Terres d'Or
Route de Saint Philibert
21220 Gevrey Chambertin - FRANCE



NANO

Simple version



NANO

Low luminance version

