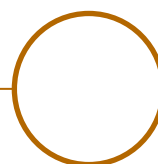


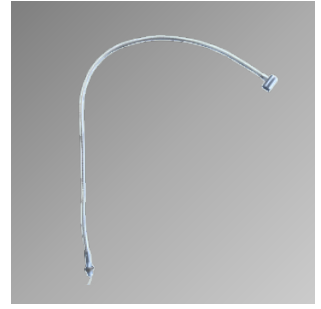
LOUSS

Lighting Emotion



MIKRON RANGE





MIKRON

Common characteristics

Range	Accent decorative luminaire
Description	Body in anodised aluminium (other finishing upon request) On Jack system or on a threaded steel rod M8x1
External diameter	Head : 20mm - Rod : 19mm
LED characteristics	1 LED: 2700K – 3000K – 4000K (other LED colours upon request)
Optical beam	15° - 35° - 40° - 60° (other optical beam upon request)
Connection	Delivered with female connectors and 0.5m standard cable (more length upon request) Individual connection or connection in series on external constant current driver
Separate power supply	350mA – 500mA – 700mA
LED power	350mA : 1.2W 500mA : 1.8W 700mA : 2.4W (low luminance version)
Use limitations	The product must be installed into a ventilated area. Any use with an ambient temperature higher than the specified ambient temperature (Ta) would lead to a more rapid mortality of the product and the withdrawal of our guarantees. The drivers, if not delivered by LOuss, must be approved before use.
Warranty	Life span: L80B10 at 50,000 hours (80% remaining flux) at 25°C ambient temperature. 3-year parts and labour warranty. The warranty does not apply to products that have been opened, modified or repaired and does not cover the effects of a wrong connection, careless, abusive handling, overvoltage, lighting injury, as well as the normal wear of the product. All products are electrically tested and received a functional burn-in.

All the connections have to be made before powering up,
otherwise the luminaire could be seriously damaged.

LOuss

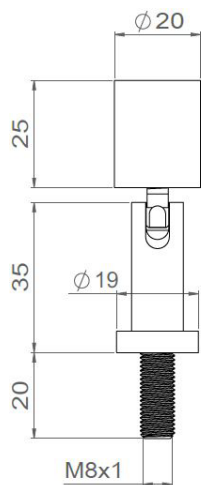
Last update : 14/12/2020

Firalux & LOuss brands

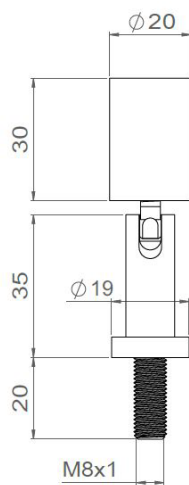
SARL, Capital 40 000€
RCS DIJON B 503 367 245
TVA/VAT n°: FR24 503 367 245
APE 4676Z

Tel. : +33 380 48 65 68
contact@louss.fr
www.louss.fr
Best group

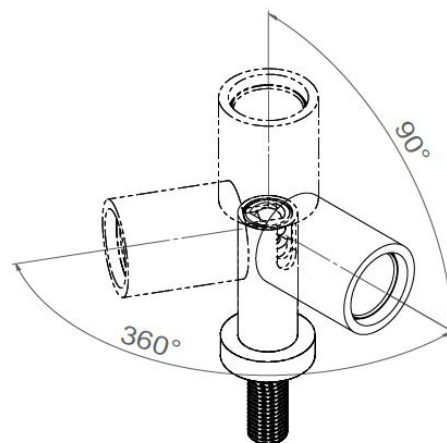
Siège social / Head Office
PA Les Terres d'Or
Route de Saint Philibert
21220 Gevrey Chambertin - FRANCE



Standard



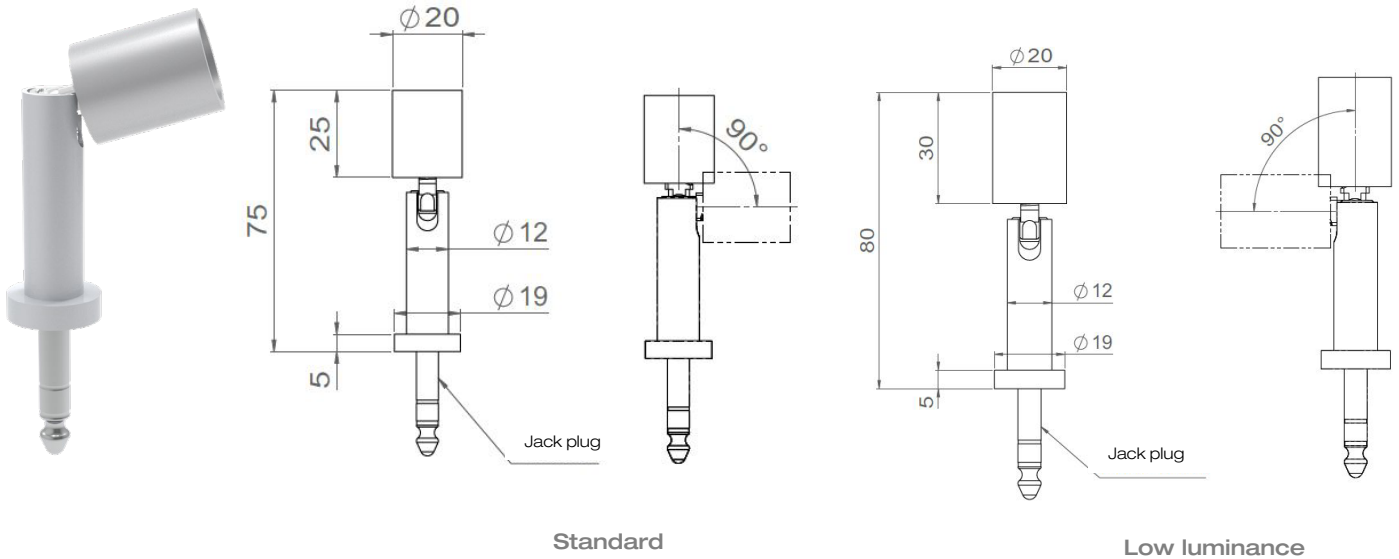
Low luminance



MIKRON BASE

<p>Dimensions</p>	<p>Head : Diameter : 20mm Length (standard version) : 25mm Length (low luminance version) : 30mm Foot : Diameter : 19mm Length : 65mm</p>
<p>Connection</p>	<p>Delivered on threaded rod M8x1 and 0.5m standard cable (other length upon request) Individual connection or connection in series on external constant current driver</p>

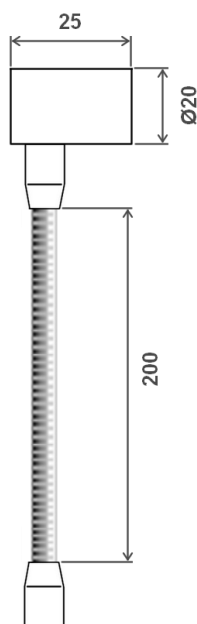
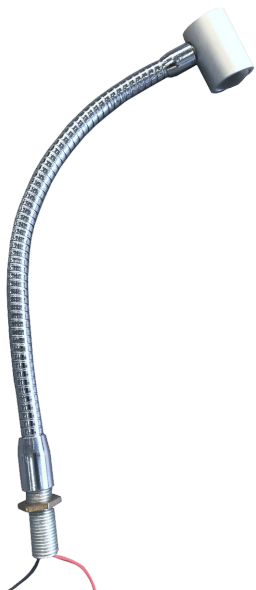
All the connections have to be made before powering up, otherwise the luminaire could be seriously damaged.



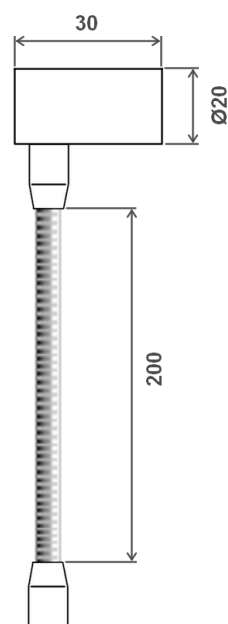
MIKRON JACK

Dimensions	Head : Diameter : 20mm Length (standard version) : 25mm Length (low luminance version) : 30mm Foot : Diameter: 19mm Length : 80mm
Connection	Delivered with female connectors and 0.5m standard cable (other length upon request) Individual connection or connection in series on external constant current driver

All the connections have to be made before powering up, otherwise the luminaire could be seriously damaged.



Standard

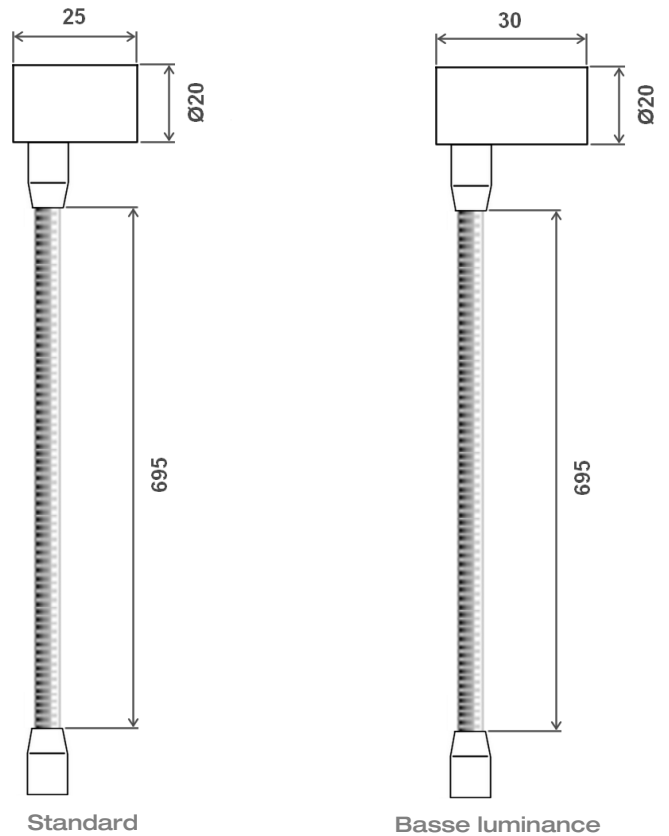


Low luminance

MIKRON FLEX

<p>Dimensions</p>	<p>Head : Diameter : 20mm Length (standard version) : 25mm Length (low luminance version) : 30mm Foot : Length : 200mm</p>
<p>Connection</p>	<p>Delivered with female connectors and 0.5m standard cable (more length upon request) Individual connection or connection in series on external constant current driver</p>

All the connections have to be made before powering up, otherwise the luminaire could be seriously damaged.



MIKRON COL DE CYGNE

Dimensions	Head : Diameter : 20mm Length (standard version) : 25mm Length (low luminance version) : 30mm Foot : Length : 695mm
Connection	Delivered with female connectors and 0.5m standard cable (more length upon request) Individual connection or connection in series on external constant current driver

All the connections have to be made before powering up, otherwise the luminaire could be seriously damaged.