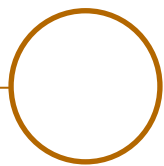


LOUSS

Lighting Emotion



LAMPYRIS2

The line of light which highlights
the architecture



IK 08

IP
65



CE

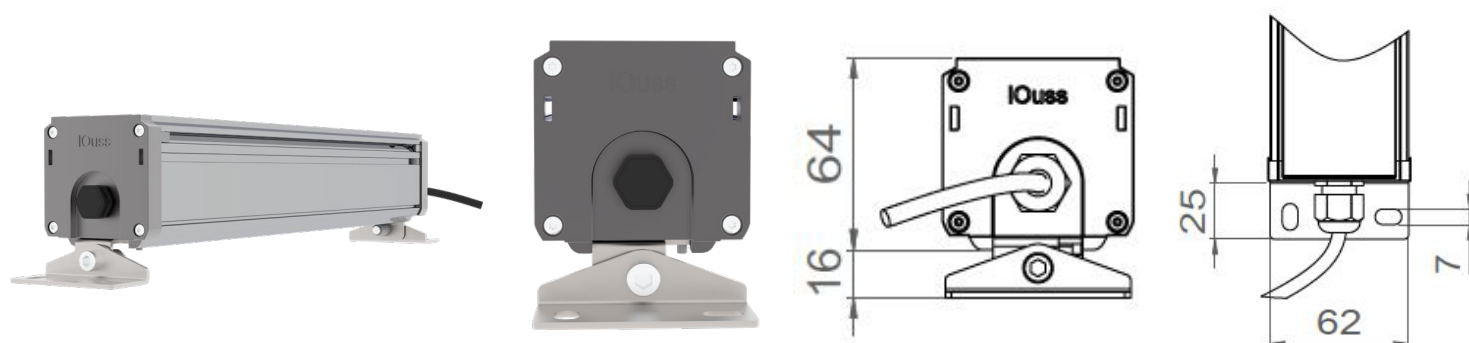
MADE IN
FRANCE



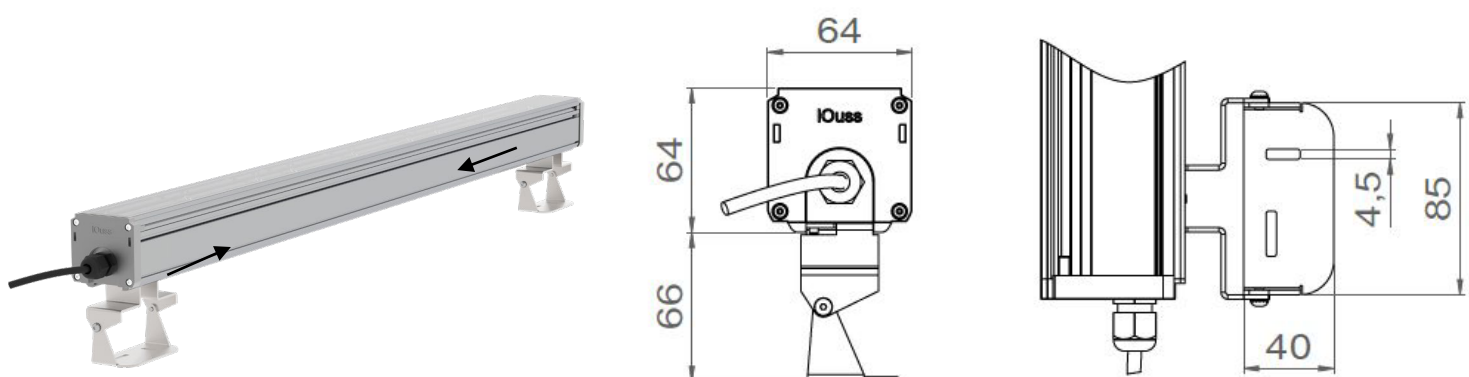
LAMPYRIS2

| | |
|--------------------|--|
| Range | Surface mounted architectural floodlighting |
| Description | Body in natural anodised aluminium (other finish on request) Transparent polycarbonate protector, treated to withstand UV Stainless steel mounting brackets: adjustable end-fixed or spacing fixing brackets |
| Dimensions | Profile : 62x64mm Lengths : 350mm – 670mm – 990mm – 1310mm |
| Net weight | 350mm : 1Kg 670mm : 2Kg 990mm : 2.5Kg 1310mm : 4Kg |

Adjustable end-fixed fixing brackets



Adjustable spacing fixing brackets



LOUSS

Last update: 2023/09/21

2/6

Firalux & LOUSS brands

SARL, Capital 40 000€
RCS DIJON B 503 367 245
TVA/VAT n°: FR24 503 367 245
APE 4676Z

Tel. : +33 380 48 65 68
contact@louss.fr
www.louss.fr
Best group

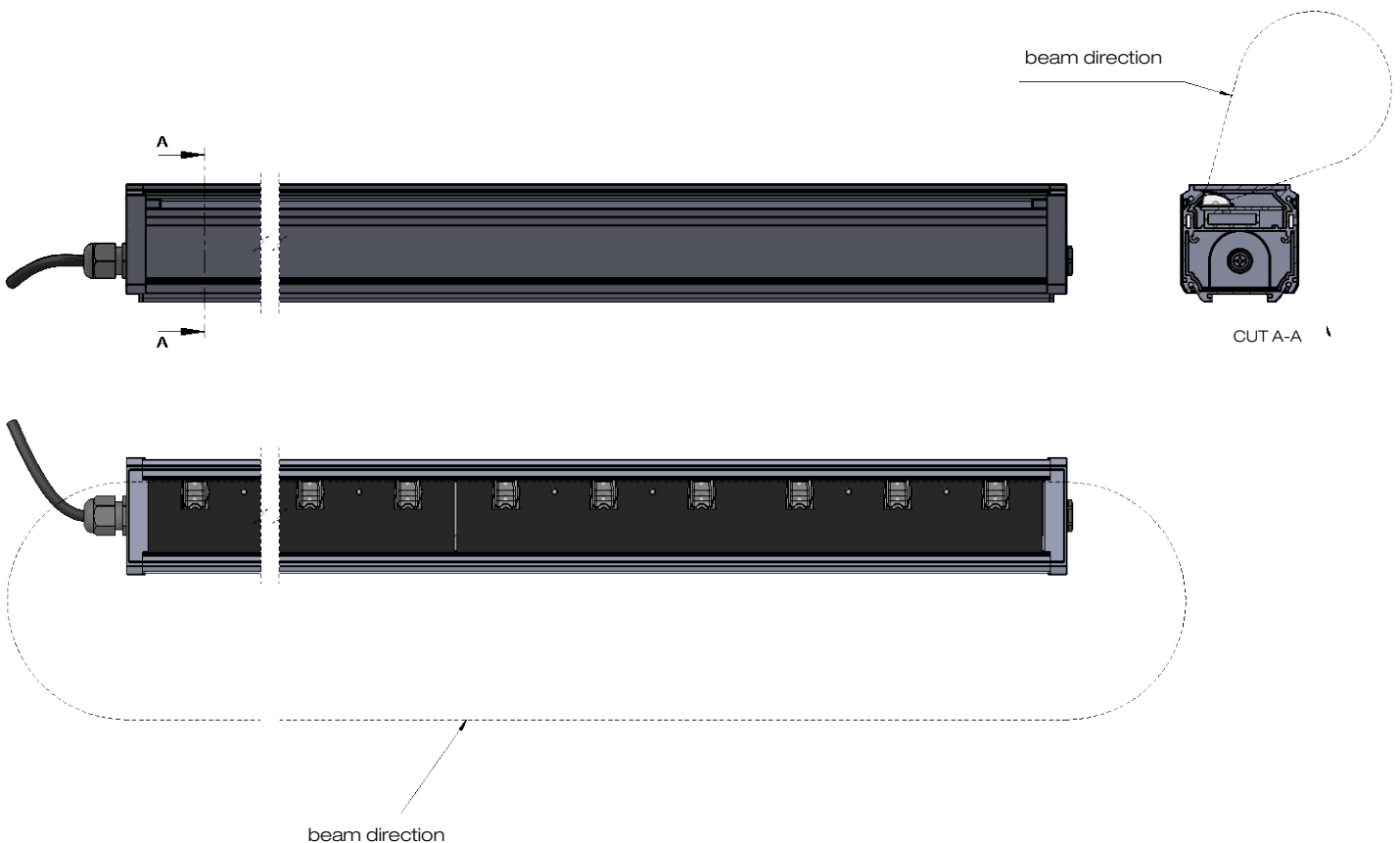
Siège social / Head Office
PA Les Terres d'Or
Route de Saint Philibert
21220 Gevrey Chambertin - FRANCE



LAMPYRIS2

| | |
|--|--|
| LED characteristics Monochrome version | 350mm : 6 LED 2200K - 2700K - 3000K - 4000K - 5000K - 6500K 670mm : 12 LED 2200K - 2700K - 3000K - 4000K - 5000K - 6500K 990mm : 18 LED 2200K - 2700K - 3000K - 4000K - 5000K - 6500K 1310mm : 24 LED 2200K - 2700K - 3000K - 4000K - 5000K - 6500K (other on request) |
| LED characteristics Tunable White or RGBW versions | 350mm : 12 LED Twin White or RGBW 670mm : 24 LED Twin White or RGBW 990mm : 36 LED Twin White or RGBW 1310mm : 48 LED Twin White or RGBW |
| Optical beam | Standard optics : 15° - 30° - 40° - 60° - elliptical 18x36 or 12x50 - asymmetrical High performance optics : 6° - 15° - 30° |

LAMPYRIS2 Asymmetric version



All the connections have to be made before powering up, otherwise the luminaire could be seriously damaged



LAMPYRIS2 *Twin White*

The LAMPYRIS2 TWIN WHITE is equipped with LEDs with very high **CRI** (color rendering index) and **R9** (red rendering index), as well as **very high efficiency optics**.

This technology, developed by BEST group, of which LOuss is a member, was first installed in 2005 at the Bousquet jewellery store in Montpellier. Since then, it has been supplied to many of our customers, including some of the major jewellery houses.

The combination of two different white color temperatures reveals the color nuances of illuminated objects, as well as tonal variations, in a subtle way, thanks to a rich color spectrum.

2900K LEDs (warm white-yellow) bring out the best in jewelry, watches, yellow and rose gold items and warm shades in general.

4500K LEDs (cool bluish white) are ideal for jewelry, watches and items made of silver or steel, as well as cool shades and diamonds.

The 32mm-diameter optics we use are highly efficient, enabling us to obtain very tight beams with a high number of candelas in the axis, giving the objects a radiant appearance.



The combination of the two color temperatures, together with the multiplication of narrow beams, creates a **3D lighting effect**, giving relief to illuminated objects which become bright and radiant.

More information in the specific documentation LAMPYRIS2 TWIN WHITE

All the connections have to be made before powering up, otherwise the luminaire could be seriously damaged

LOuss

Last update: 2023/09/21

4/6

Firalux & LOuss brands

SARL, Capital 40 000€
RCS DIJON B 503 367 245
TVA/VAT n°: FR24 503 367 245
APE 4676Z

Tel. : +33 380 48 65 68
contact@louss.fr
www.louss.fr
Best group

Siège social / Head Office
PA Les Terres d'Or
Route de Saint Philibert
21220 Gevrey Chambertin - FRANCE



| | |
|--------------------------------|--|
| Connection | <p>Delivered with 1m cable (other lengths on request)</p> <p>All versions except RGBW/Tunable White: Direct 230V</p> <p>Remote power supplied on request (mandatory for length 350mm RGBW/Tunable white)</p> <p>RGBW or Dynamic White version: integrated DMX driver (except Lg 350mm)</p> <p>Possibility of pre-recorded scenarios</p> |
| Integrated power supply | <p>230Vac : all versions (except length 350mm RGBW or tunable white)</p> |
| Remote power supply | <p>350mA : all versions – 500mA (except 48 LED version)</p> |
| Power consumption | <p>350mA : 6 LED : 7W – 8 LED : 10W – 12 LED : 14W – 16 LED : 19W – 18 LED : 22W 24 LED : 29W – 48 LED : 58W</p> <p>500mA : 6 LED : 11W – 8 LED : 14W – 12 LED : 22W – 16 LED : 29W – 18 LED : 32W 24 LED : 40W/m max</p> |
| Conditions of use | <p>Drivers, if not delivered by LOuss, must be approved before use. All products are tested before delivery.</p> |
| Warranty | <p>Life span: L80B10 at 50 000 hours (80% remaining flux)</p> <p>3-year parts and labour warranty. This warranty covers problems related to the manufacture and components of our products. The warranty does not apply if the product has been opened, modified or repaired. Damage caused by improper connection, lightning, power surges or misuse is not covered.</p> <p>Repairs are carried out in our workshop</p> |

All the connections have to be made before powering up, otherwise the luminaire could be seriously damaged



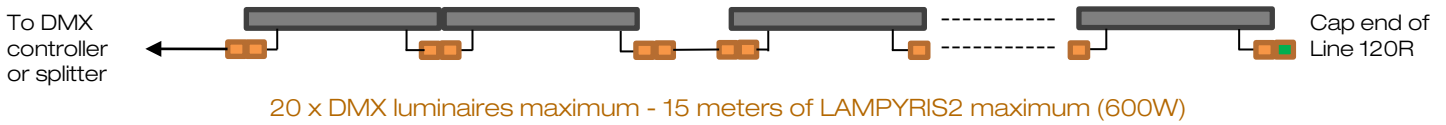
LAMPYRIS2


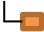



Connection guideline

Input/output connector version

Each luminaire is equipped with 2 waterproof metal connectors with 20cm locking cable

Cables output at the rear for a daisy-chain installation to obtain a continuous line

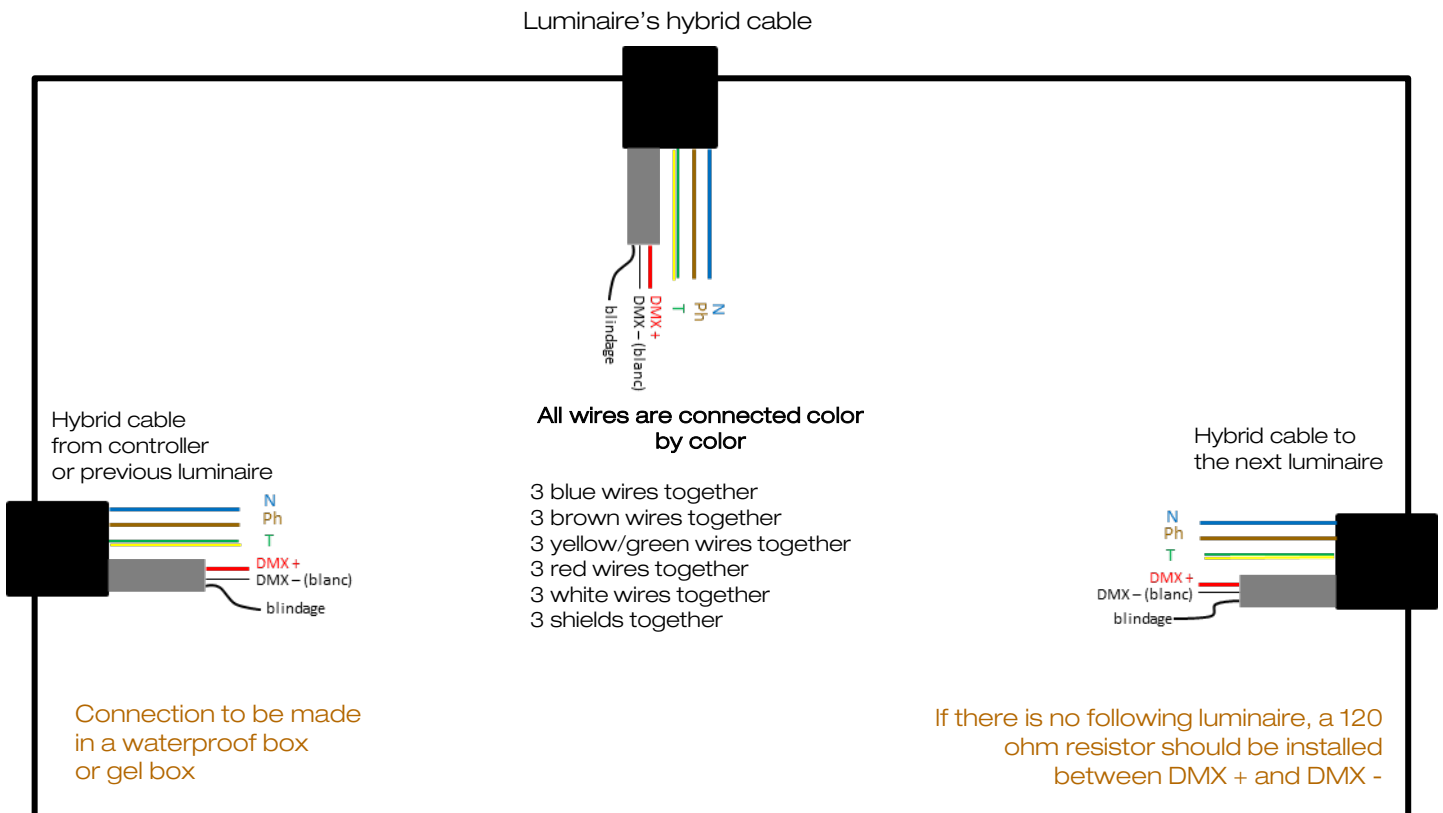


-  LAMPYRIS2 luminaire with integrated DMX driver
-  20cm cable with waterproof male connector on one side and waterproof female connector on the other side
-  Cap end of line 120R
-  Customized extension cable with sealed male/female connectors
-  Hybrid cable reference YC-194 (10mm diameter with 3G1.5² cable for power and one shielded pair for DMX)

Maximum total cable length from DMX controller (or splitter) to last luminaire = 300m

Beyond that, a repeater or splitter is required

Hybrid cable output version



All the connections have to be made before powering up, otherwise the luminaire could be seriously damaged