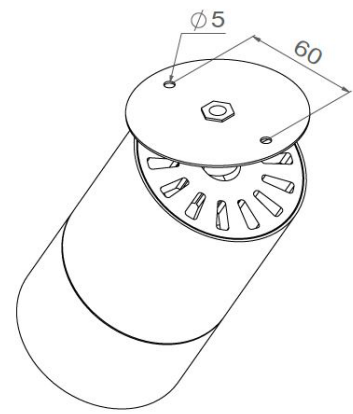
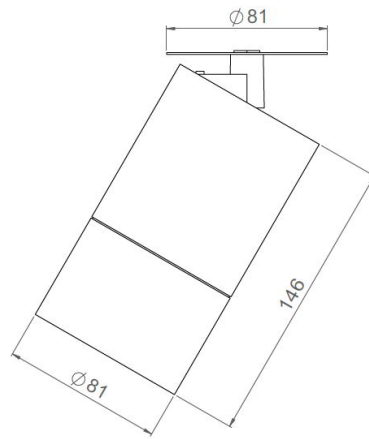


AURORE D82

Disk Wall-Mounted



AURORE TRIO D82

Disk Wall-Mounted version

Range	Highly flexible recessed ceiling downlight for general & accent cardanic lighting
Description	Low luminance Rotation 360° - Adjustable tilt 45° + 45° White finish RAL 9003 (other upon request)
Net weight	0.90 kg
Installation	Installation diameter : 90mm No specific tools required
LED characteristics	Tunable white 3 LED 2700K – 4000K – 6500K 2300 to 2600 lm according to version UGR < 15
Optical beam	20°- 30°
Connection	Supplied with 0.50m of 8-conductor cable Daisy-chain option upon request (2 input/output cables for serial wiring)
Separate power supply	Remote constant current DMX driver 700mA max
LED power	35W max
Use limitations	The product must be installed into a ventilated area. Any use with an ambient temperature higher than the specified ambient temperature (Ta) would lead to a more rapid mortality of the product and the withdrawal of our guarantees. The drivers, if not delivered by LOuss, must be approved before use.
Warranty	Life span: L80B10 at 50,000 hours (80% remaining flux) at 25°C ambient temperature. 3-year parts and labour warranty. The warranty does not apply to products that have been opened, modified or repaired and does not cover the effects of a wrong connection, careless, abusive handling, overvoltage, lighting injury, as well as the normal wear of the product. All products are electrically tested and received a functional burn-in.

All the connections have to be made before powering up,
otherwise the luminaires could be seriously damaged.

LOuss

Last update : 03/11/2021

Firalux & LOuss brands

SARL, Capital 40 000€
RCS DIJON B 503 367 245
TVA/VAT n°: FR24 503 367 245
APE 4676Z

Tel. : +33 380 48 65 68
contact@louss.fr
www.louss.fr
Best group

Siège social / Head Office
PA Les Terres d'Or
Route de Saint Philibert
21220 Gevrey Chambertin - FRANCE