

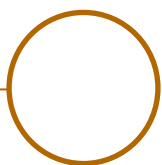
LOUSS

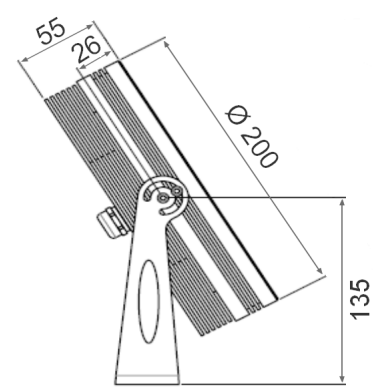
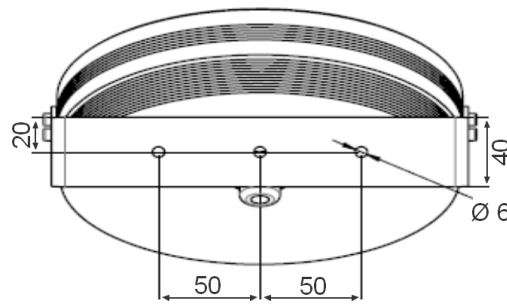
Lighting Emotion



ANELO 200

A range of elegant and powerful
floodlights





ANELO 200

Range	Surface mounted architectural floodlighting
Description	Body in natural anodised aluminium (other finishing upon request) Extra clear tempered glass Stainless steel bracket
External diameter	200mm
Net Weight	3.1 kg
LED characteristics	18 LED: 2200K – 2700K – 3000K – 4000K – 5000K – 6500K 24 LED: RGBW
Optical beam	High performance optics: 7° - 15° - 35° - 60° Standard optics: 15° - 30° - 40° - 60°
Connection	Delivered with 1m cable (more length upon request) Connection in series on external constant current driver
Separate power supply	350mA – 500mA – 700mA
LED power	350mA : 22W – 30W 500mA : 33W – 43W 700mA : 45W max. full RGBW
Use limitations	The product must be installed into a ventilated area. Any use with an ambient temperature higher than the specified ambient temperature (Ta) would lead to a more rapid mortality of the product and the withdrawal of our guarantees. The drivers, if not delivered by LOuss, must be approved before use.
Warranty	Life span: L80B10 at 50,000 hours (80% remaining flux) at 25°C ambient temperature. 3-year parts and labour warranty. The warranty does not apply to products that have been opened, modified or repaired and does not cover the effects of a wrong connection, careless, abusive handling, overvoltage, lighting injury, as well as the normal wear of the product. All products are electrically tested and received a functional burn-in.

All the connections have to be made before powering up,
otherwise the luminaires could be seriously damaged.

LOuss

Last update : 04/02/2019

Firalux & LOuss brands

SARL, Capital 40 000€
RCS DIJON B 503 367 245
TVA/VAT n°: FR24 503 367 245
APE 4676Z

Tel. : +33 380 48 65 68
contact@louss.fr
www.louss.fr
Best group

Siège social / Head Office
PA Les Terres d'Or
Route de Saint Philibert
21220 Gevrey Chambertin - FRANCE