

MINISTAFF

Spots LED in duo



MiniStaff



MiniStaff Wall Washer

MINISTAFF & MINISTAFF WALL WASHER

Range	Recessed luminaire for general & accent lighting
Description	Two recessed low luminance spotlights inserted in a gypsum board 2 brackets
Installation	Recessed in the ceiling
LED characteristics	2 LED 2700K - 3000K - 3500K - 4000K MacAdam of ellipse : 3 SDCM CRI: 90 Luminous flux : 110 lm
Optical beam	MiniStaff droit ou inclinés 10° ou 20° : 10° - 20° - 40° MiniStaff Wall Washer : 40°
Connection	0.50m cable
Separate power supply	700mA constant current driver Remote driver < 15m
LED power	4W at 700mA max.
Use limitations	The product must be installed into a ventilated area. Any use with an ambient temperature higher than the specified ambient temperature (Ta) would lead to a more rapid mortality of the product and the withdrawal of our guarantees. The drivers, if not delivered by LOuss, must be approved before use.
Warranty	Life span: L80B10 at 50,000 hours (80% remaining flux) at 25°C ambient temperature. 3-year parts and labour warranty. The warranty does not apply to products that have been opened, modified or repaired and does not cover the effects of a wrong connection, careless, abusive handling, overvoltage, lighting injury, as well as the normal wear of the product. All products are electrically tested and received a functional burn-in.

All the connections have to be made before powering up,
otherwise the luminaires could be seriously damaged.

LOuss

Last update : 30/04/2021

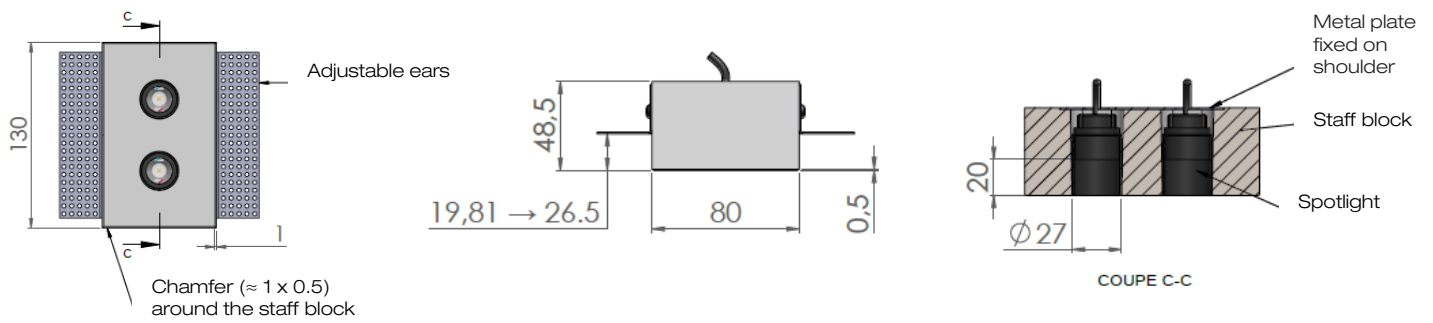
Firalux & LOuss brands

SARL, Capital 40 000€
RCS DIJON B 503 367 245
TVA/VAT n°: FR24 503 367 245
APE 4676Z

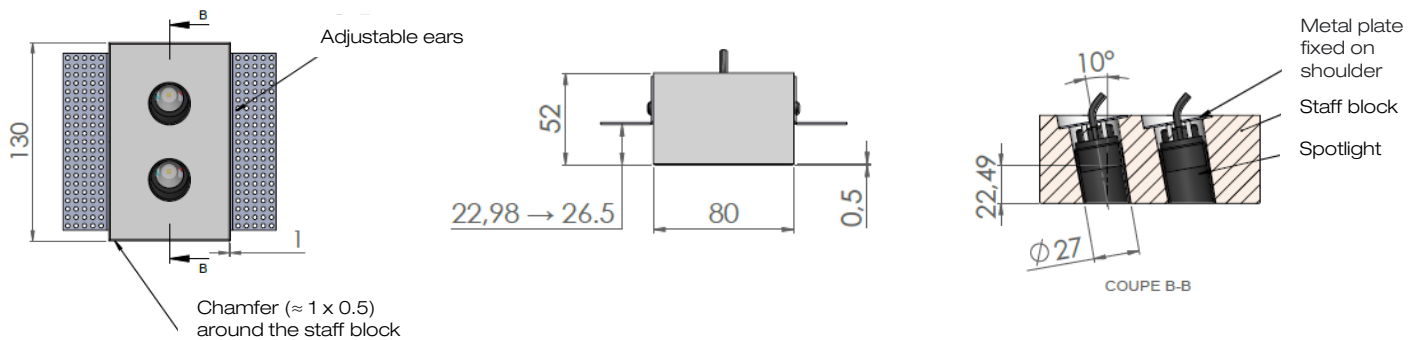
Tel. : +33 380 48 65 68
contact@louss.fr
www.louss.fr
Best group

Siège social / Head Office
PA Les Terres d'Or
Route de Saint Philibert
21220 Gevrey Chambertin - FRANCE

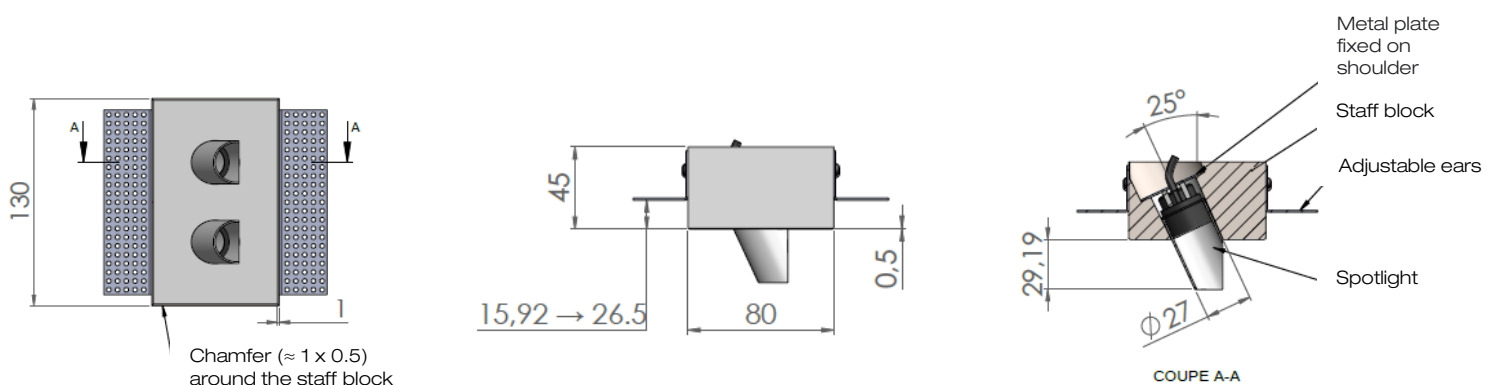
MiniStaff Straight

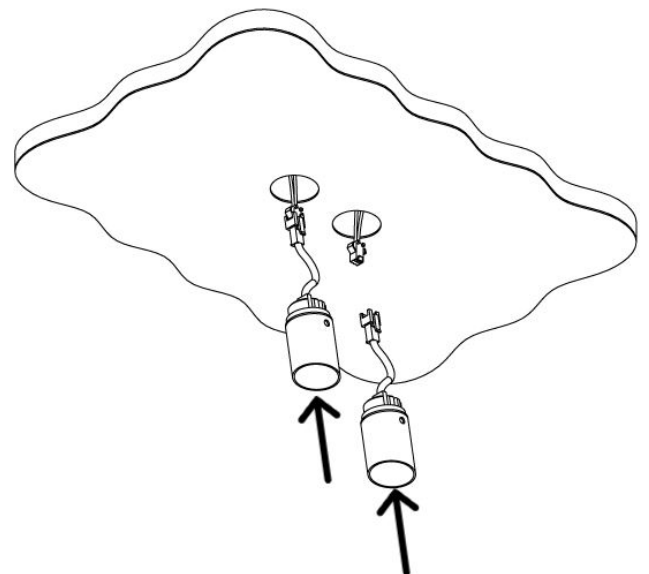
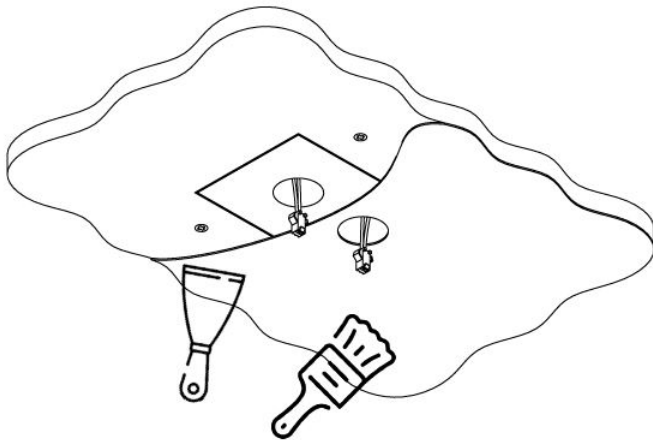
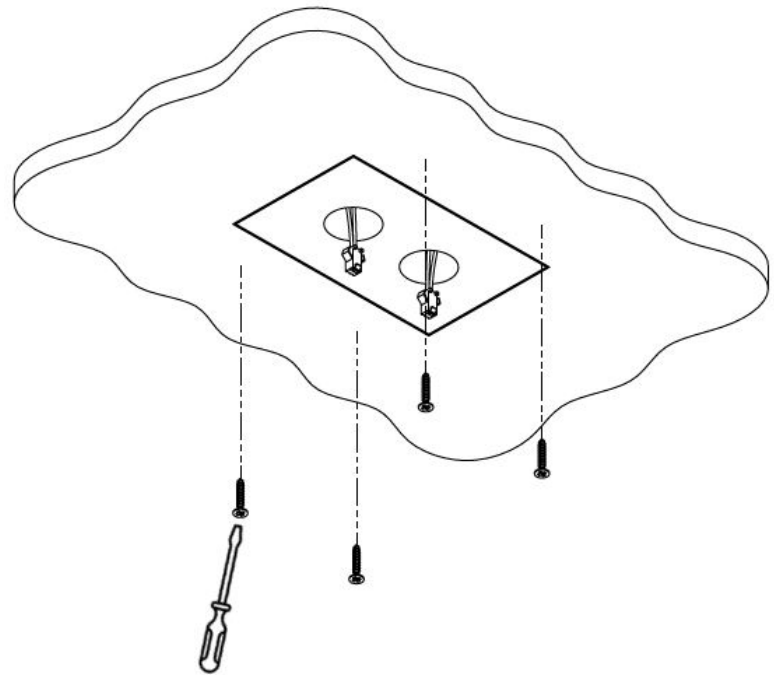
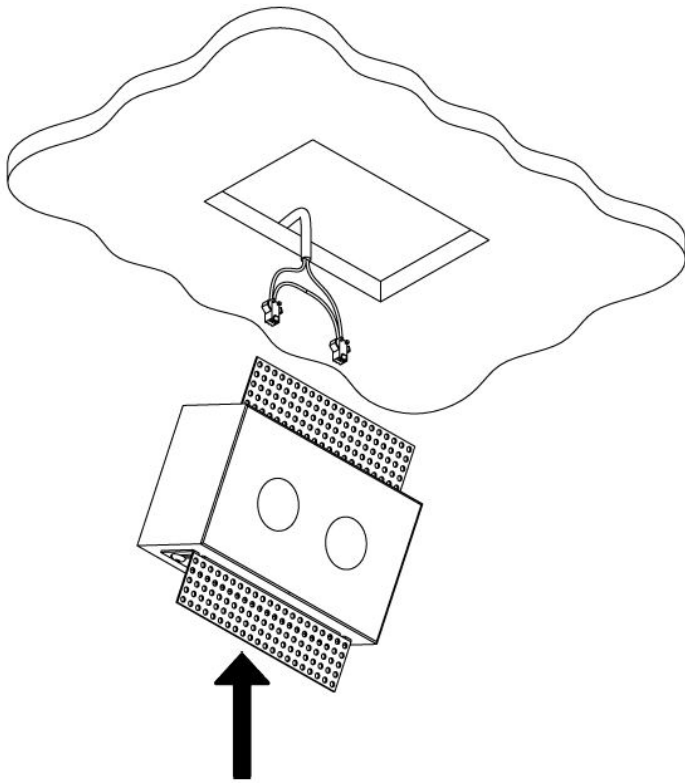


MiniStaff 10°



MiniStaff Wall Washer





All the connections have to be made before powering up,
otherwise the luminaires could be seriously damaged.