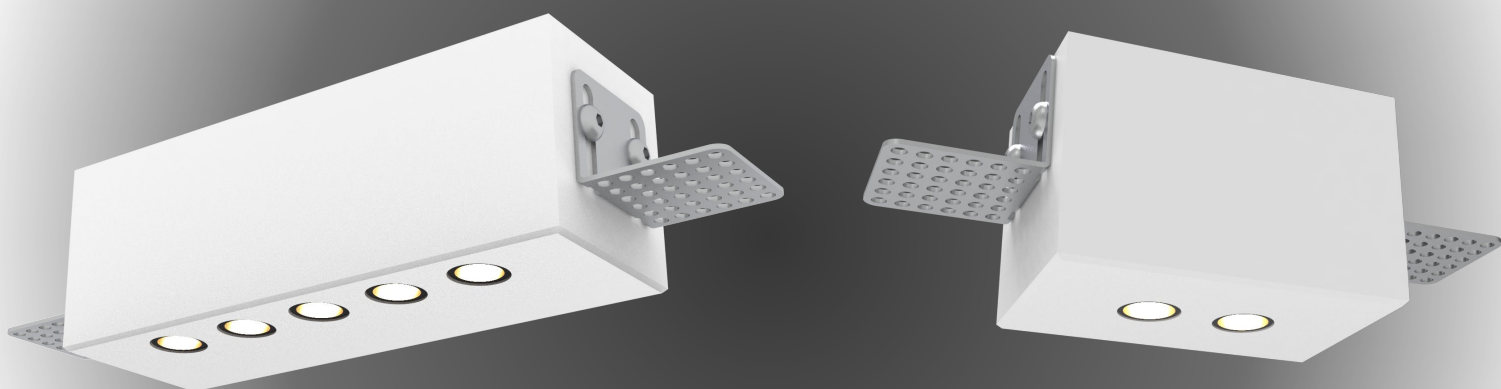


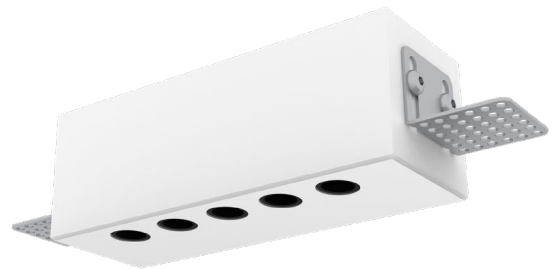
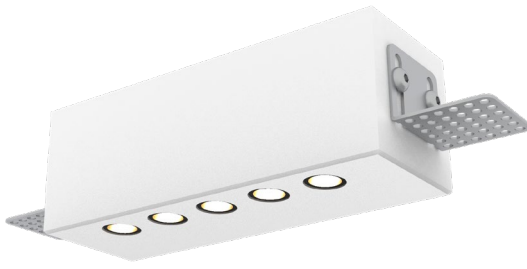
LOUSS

Lighting Emotion





NanoStaff NanoStaff Duo



NanoStaff 5 Spots

Range	Recessed luminaire for general & accent lighting
Description	Five very small low luminance spotlights with fixed orientation, inserted in a gypsum board and fixed with spring plungers 2 brackets
Dimensions & Weight	190x45x51mm including brackets 1.314 kg
Installation	Recessed in the ceiling (see installation's instructions)
LED spots	5 black matt finish LED spotlights with quick connectors : 2700K - 3000K - 3500K - 4000K - 5000K MacAdam ellipse : 3SDCM CRI 92 R9>80 Fixed orientation : angle 10° - 15° - 25°
Optical beam	15° - 20° - 37° - 40° - 65° - 16°x40° (elliptical beam possible without inclination)
Connection	Delivered with a multi-plug cable for serial connection, to be inserted into the ceiling before the installation of the luminaire
Separate power supply	≤ 700mA constant current driver
LED power	5W at 350mA 8W at 500mA 10W at 700mA
Use limitations	The product must be installed into a ventilated area. Any use with an ambient temperature higher than the specified ambient temperature (Ta) would lead to a more rapid mortality of the product and the withdrawal of our guarantees. The drivers, if not delivered by LOUSS, must be approved before use.
Warranty	Life span: L80B10 at 50,000 hours (80% remaining flux) at 25°C ambient temperature. 3-year parts and labour warranty. The warranty does not apply to products that have been opened, modified or repaired and does not cover the effects of a wrong connection, careless, abusive handling, overvoltage, lighting injury, as well as the normal wear of the product. All products are electrically tested and received a functional burn-in.

All the connections have to be made before powering up,
otherwise the luminaires could be seriously damaged.

LOUSS

Last update : 10.07.2024 - R

2/8

Firalux & LOUSS brands

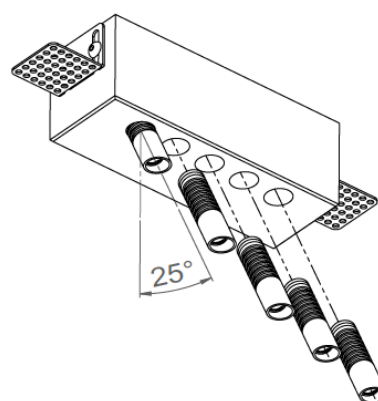
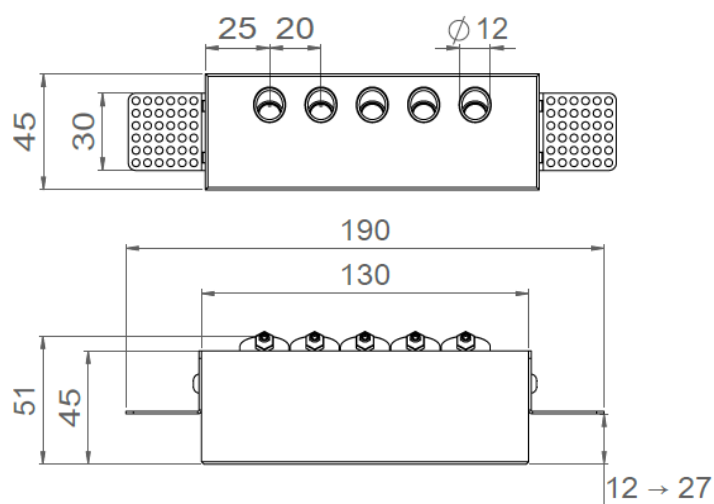
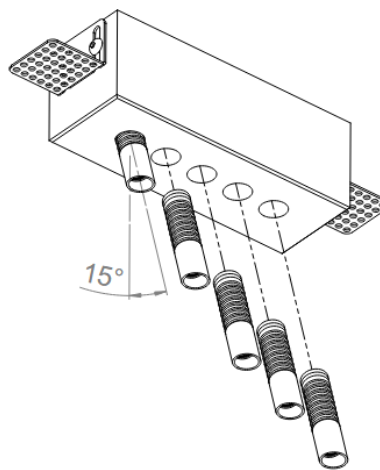
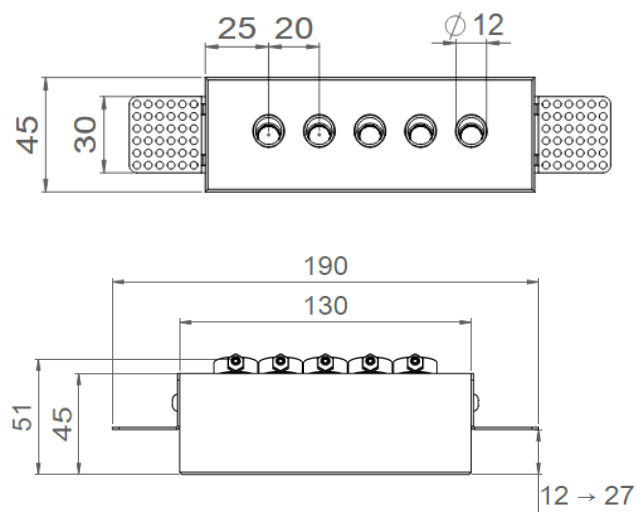
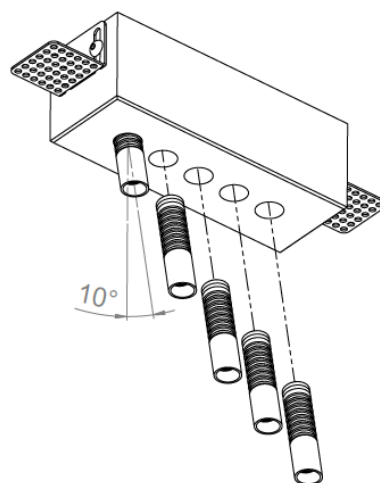
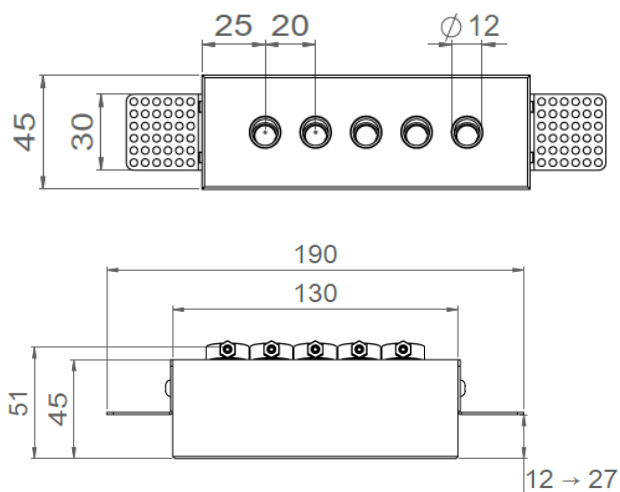
SARL, Capital 40 000€
RCS DIJON B 503 367 245
TVA/VAT n°: FR24 503 367 245
APE 4676Z

Tel. : +33 380 48 65 68
contact@louss.fr
www.louss.fr
Best group

Siège social / Head Office
PA Les Terres d'Or
Route de Saint Philibert
21220 Gevrey Chambertin - FRANCE



NanoStaff 5 spots



All the connections have to be made before powering up,
otherwise the luminaires could be seriously damaged.



NanoStaff Duo

Range	Recessed luminaire for general & accent lighting
Description	Two very small low luminance spotlights with fixed orientation, inserted in a gypsum board and fixed with spring plungers 2 brackets
Dimensions & Weight	130x45x51mm including brackets 0.867 kg
Installation	Recessed in the ceiling (see installation's instructions)
LED spots	2 black matt finish LED spotlights with quick connectors : 2700K - 3000K - 3500K - 4000K - 5000K MacAdam ellipse : 3SDCM CRI 92 R9>80 Fixed orientation : angle 10°
Optical beam	16° - 20° - 40° - 65° - 17°x49° (elliptical beam possible without inclination)
Connection	Delivered with a multi-plug cable for serial connection, to be inserted into the ceiling before the installation of the luminaire
Separate power supply	≤ 700mA constant current driver
LED power	2W at 350mA 3W at 500mA 4W at 700mA
Use limitations	The product must be installed into a ventilated area. Any use with an ambient temperature higher than the specified ambient temperature (Ta) would lead to a more rapid mortality of the product and the withdrawal of our guarantees. The drivers, if not delivered by LOuss, must be approved before use.
Warranty	Life span: L80B10 at 50,000 hours (80% remaining flux) at 25°C ambient temperature. 3-year parts and labour warranty. The warranty does not apply to products that have been opened, modified or repaired and does not cover the effects of a wrong connection, careless, abusive handling, overvoltage, lighting injury, as well as the normal wear of the product. All products are electrically tested and received a functional burn-in.

All the connections have to be made before powering up,
otherwise the luminaires could be seriously damaged.

LOuss

Last update : 10.07.2024 - R

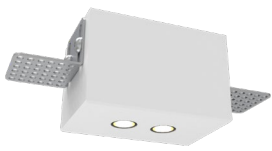
4/8

Firalux & LOuss brands

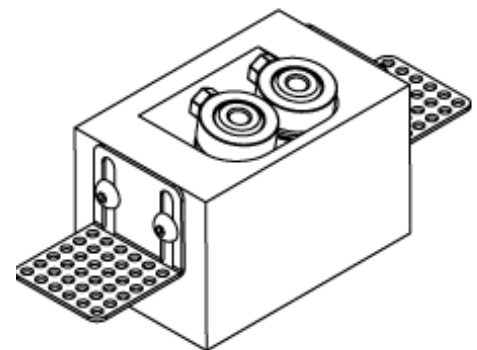
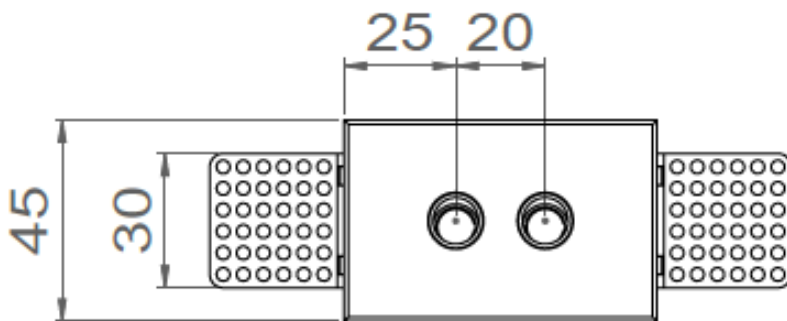
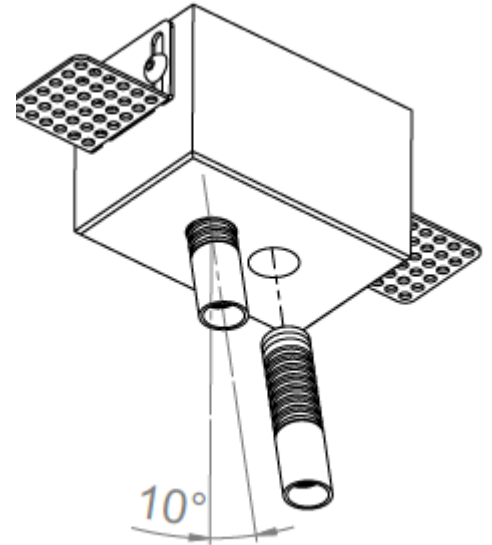
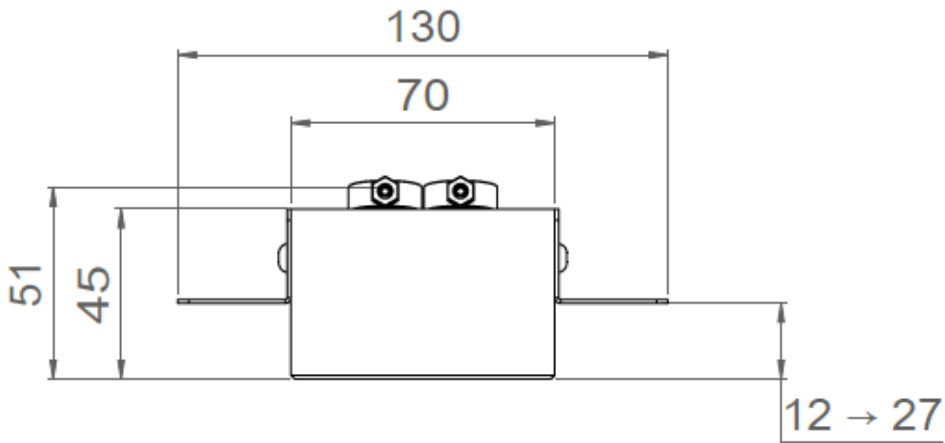
SARL, Capital 40 000€
RCS DIJON B 503 367 245
TVA/VAT n°: FR24 503 367 245
APE 4676Z

Tel. : +33 380 48 65 68
contact@louss.fr
www.louss.fr
Best group

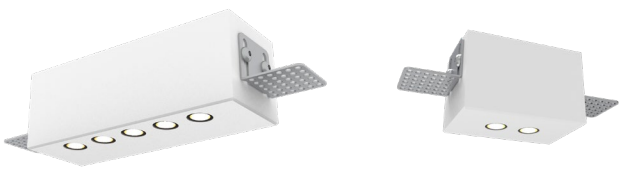
Siège social / Head Office
PA Les Terres d'Or
Route de Saint Philibert
21220 Gevrey Chambertin - FRANCE



NanoStaff Duo

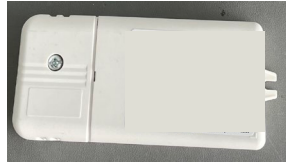
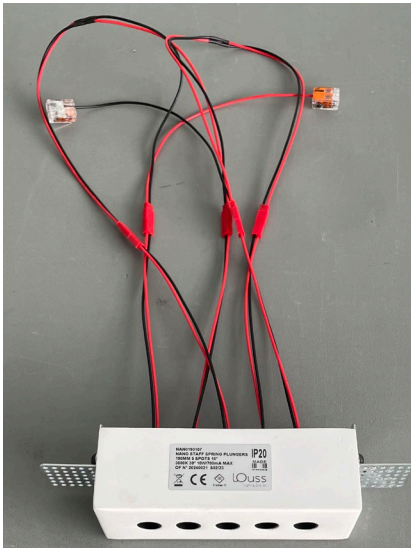


All the connections have to be made before powering up,
otherwise the luminaires could be seriously damaged.

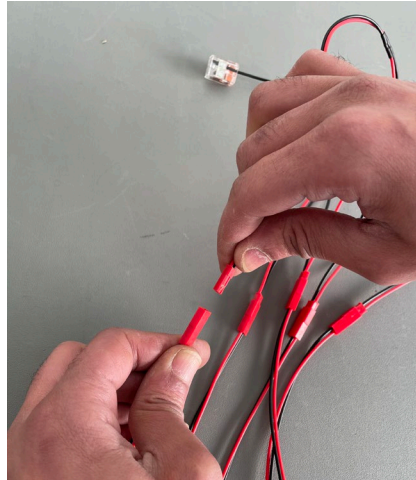
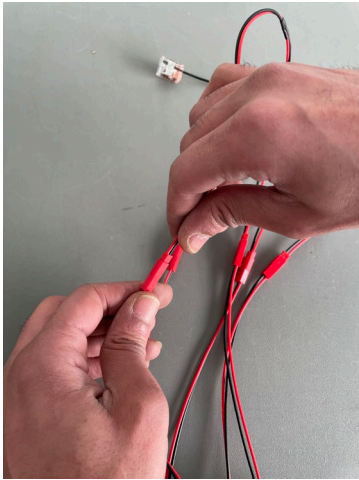


NanoStaff – NanoStaff Duo

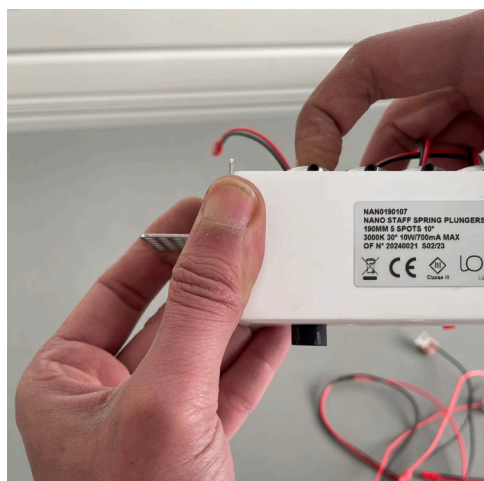
Setting up of the luminaire before installation



- 1 The set includes:
1 luminaire equipped with quick connectors
1 extension cable with 2 or 5 connectors
1 driver (picture as an example)



- 2 Remove the extension cable by taking off the quick connectors



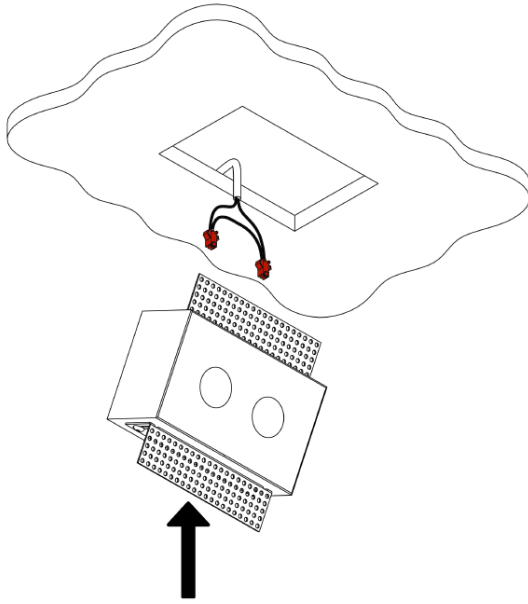
- 3 Push on the rear part of each LED spot in order to remove them from the gypsum block

All the connections have to be made before powering up, otherwise the luminaires could be seriously damaged.

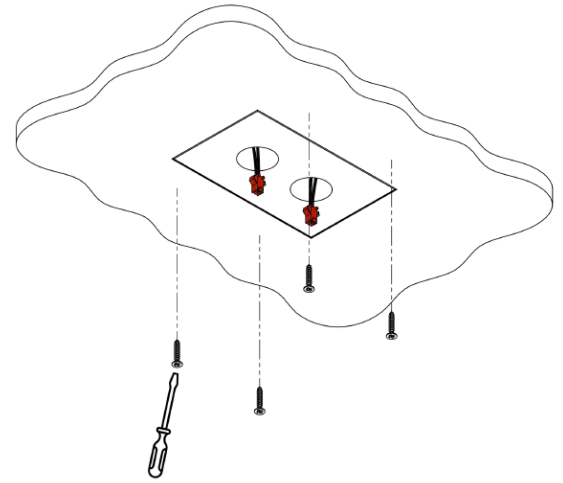


NanoStaff – NanoStaff Duo

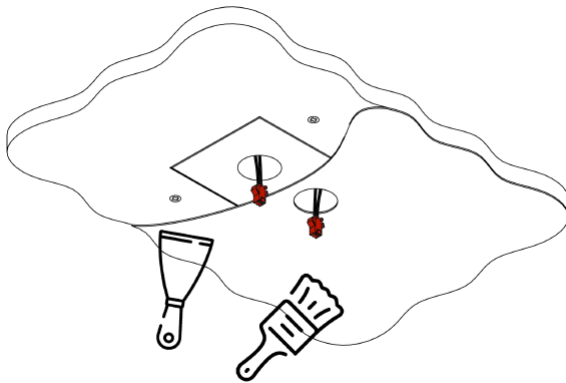
Installation's instructions



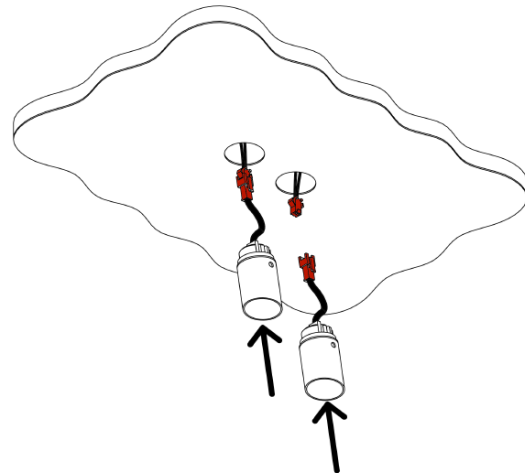
1 Insert the multi-plug cable into the ceiling



2 Insert the gypsum block and fix it
If necessary: adjust the high of the brackets according to the ceiling's thickness



3 Make the finishing seal around the gypsum block covering the screws
Make the painting



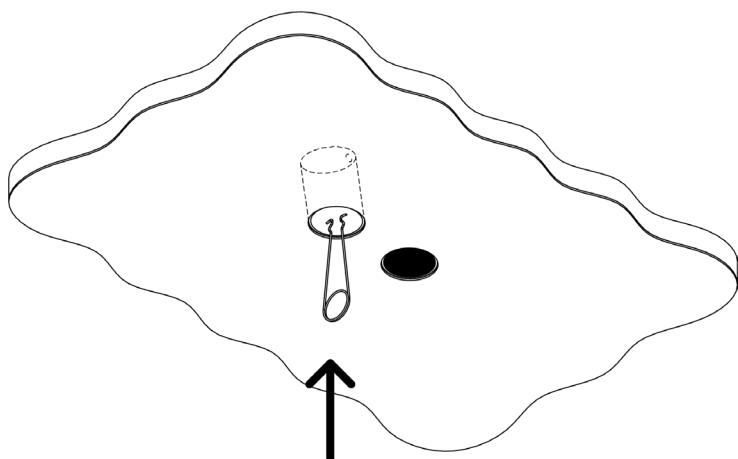
4 Insert the LED spots and fix them using the quick connectors
Insert the spotlights until you hear a “click” (contact with the magnets or the spring plungers)
Tilted version:
Install the LED spots so that they are perfectly aligned with the surface

All the connections have to be made before powering up,
otherwise the luminaires could be seriously damaged.

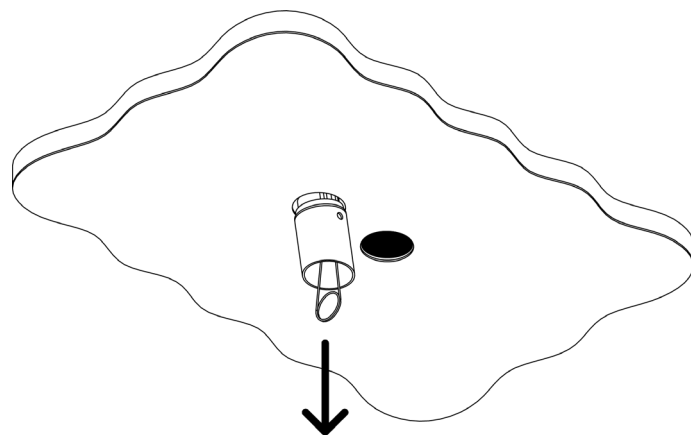


NanoStaff – NanoStaff Duo

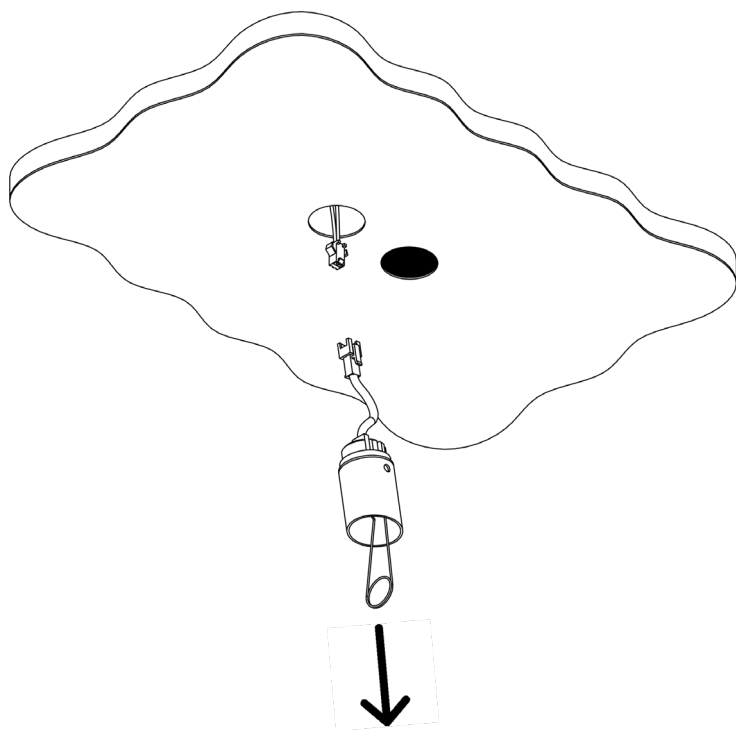
Instructions for replacement of LED spots



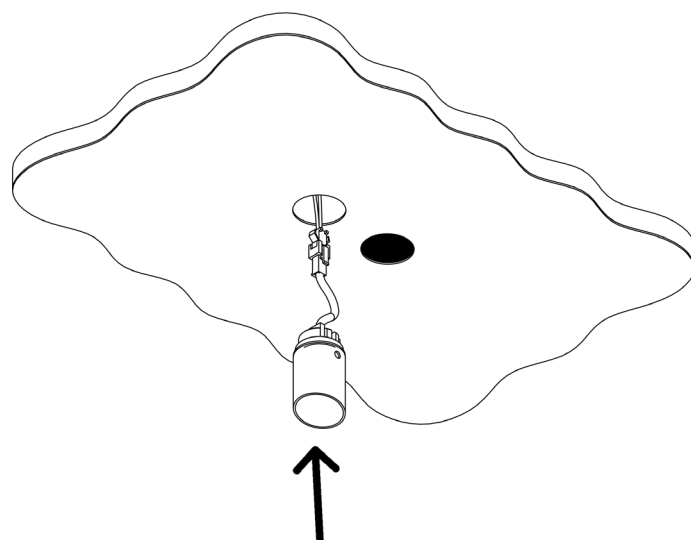
1 Insert the supplied extractor into the 2 holes of the LED spot to be replaced



2 Pull the extractor down to remove the LED spot



3 Remove the LED spot using the quick connector



4 Install the new LED spot using the remaining quick connector in the ceiling

All the connections have to be made before powering up, otherwise the luminaires could be seriously damaged.