



ELIS D55
SUSPENDED



ELIS SUSPENDED

Common characteristics

Range	Low luminance luminaire for general and accent lighting
Description	Black anodized aluminum heatsink RAL 9005 extra matt finish painted aluminum tube
Installation	Luminaire designed to be surface-mounted using the hook (not suitable for flush-mounting) Must be installed vertically (not suitable for horizontal installation) Luminaire's fixing method must be adapted to the nature of the support and must withstand a weight of 2.5kg, i.e. 5 times the weight of the luminaire
Limits of use	The product must be installed in a ventilated area, at a minimum distance of 4 cm from any vertical wall. Any use in an ambient temperature above 30° will result in premature product mortality and the withdrawal of the warranty Not suitable for mounting on easily flammable materials Drivers, if not supplied by LOuss, must be approved before use. All products are tested before delivery
Waranty	Guaranteed flux: 80% of initial flux after 50,000 hours (L80B10), at 30°C ambient temperature 3-year parts and labor warranty. This warranty covers problems related to the manufacture and components of our products. The warranty does not apply if the product has been opened, modified or repaired. Damage caused by incorrect connection, lightning, overvoltage or misuse is not covered. Repairs are carried out in our workshop

All connections must be made before switching on the power supply.
otherwise the LEDs may be seriously damaged.
Supplying this luminaire with constant voltage may cause irreversible damage.

LOuss

Last update :2023/10/23

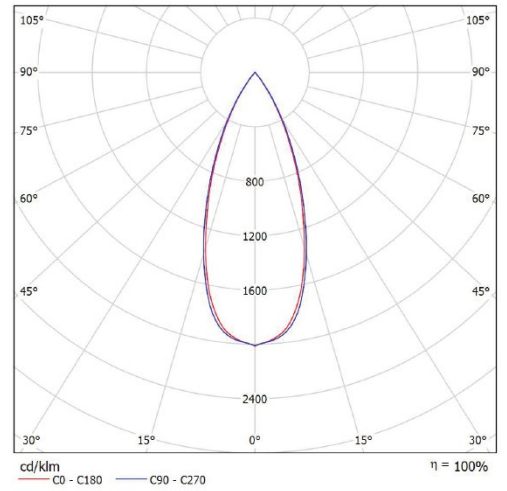
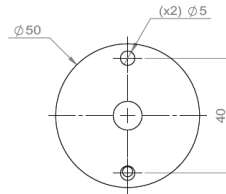
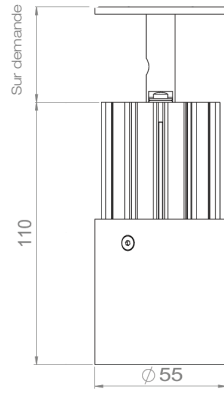
2/6

Firalux & LOuss brands

SARL, Capital 40 000€
RCS DIJON B 503 367 245
TVA/VAT n°: FR24 503 367 245
APE 4676Z

Tel. : +33 380 48 65 68
contact@louss.fr
www.louss.fr
Best group

Siège social / Head Office
PA Les Terres d'Or
Route de Saint Phillibert
21220 Gevrey Chambertin - FRANCE



ELIS D55 SUSPENDU-44°

Dimensions	<p>Luminaire : Length 110mm - Diameter 55mm</p> <p>Rod : Length on request between 40mm and 500mm</p> <p>Total height : 150mm to 610mm</p>
Installation	Surface-mounted under horizontal surface
Net weight	0.45Kg (40mm stem) to 0.6Kg (500mm stem)
LED characteristics	<p>2700K</p> <p>Ellipse MacAdam: 3 SDCM</p> <p>CRI 90</p> <p>UGR < 15</p> <p>1,400lm at 500mA</p>
Optical beam	44°
Connection	Supplied with 1m cable
Separate power supply	<p>External constant-current driver 500mA max, type SELV, compliant with EN 61347-2-13 standard</p> <p>This driver must supply a minimum constant current of 50mA to obtain a luminous flux > 45 lm</p> <p>It must not be able to deliver a current greater than 2A in both normal and short-circuit</p>
Consumption	<p>operation</p> <p>18W at 500mA max</p> <p>Junction block not included. Installation may require the advice of a qualified person.</p>
Electrical characteristics	<p>Electrical class : III</p> <p>Max. current : 500mA</p> <p>Power : 18W at 500mA</p> <p>Voltage : 36V at 500mA</p>

All connections must be made before switching on the power supply.
 otherwise the LEDs may be seriously damaged.
 Supplying this luminaire with constant voltage may cause irreversible damage.

3/6

LOUSS

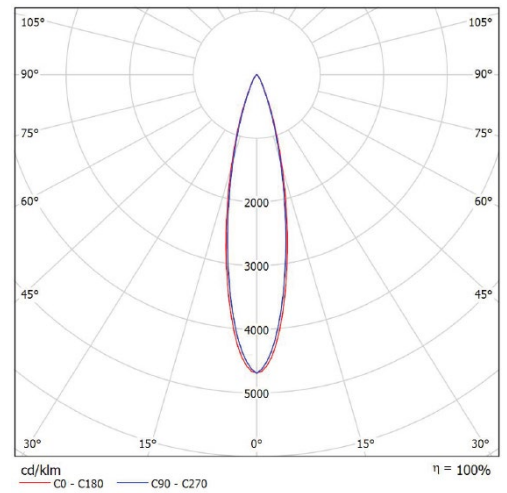
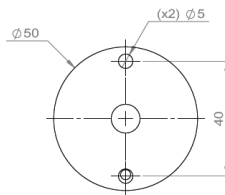
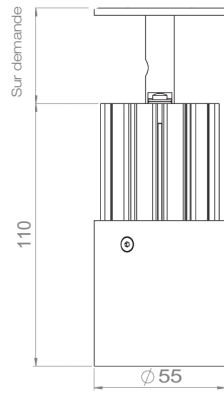
Last update : 2023/10/23

Firalux & LOUSS brands

SARL, Capital 40 000€
 RCS DIJON B 503 367 245
 TVA/VAT n°: FR24 503 367 245
 APE 4676Z

Tel. : +33 380 48 65 68
 contact@louss.fr
 www.louss.fr
 Best group

Siège social / Head Office
 PA Les Terres d'Or
 Route de Saint Philibert
 21220 Gevrey Chambertin - FRANCE



ELIS D55 SUSPENDED-21°

Dimensions	Luminaire : Length 110mm - Diameter 55mm Rod : Length on request between 40mm and 500mm Total height : 150mm to 610mm
Installation	Surface-mounted under horizontal surface
Net weight	0.45Kg (40mm stem) to 0.6Kg (500mm stem)
LED characteristics	2700K Ellipse MacAdam: 3 SDCM CRI 90 UGR < 15 1,400lm at 500mA
Optical beam	21°
Connection	Supplied with 1m cable
Separate power supply	External constant-current driver 500mA max, type SELV, compliant with EN 61347-2-13 standard This driver must supply a minimum constant current of 50mA to obtain a luminous flux > 45 lm It must not be able to deliver a current greater than 2A in both normal and short-circuit operation
Consumption	18W at 500mA max Junction block not included. Installation may require the advice of a qualified person
Electrical characteristics	Electrical class : III Max. current : 500mA Power : 18W at 500mA Voltage : 36V at 500mA

All connections must be made before switching on the power supply.
 otherwise the LEDs may be seriously damaged.
 Supplying this luminaire with constant voltage may cause irreversible damage.

4/6

LOUSS

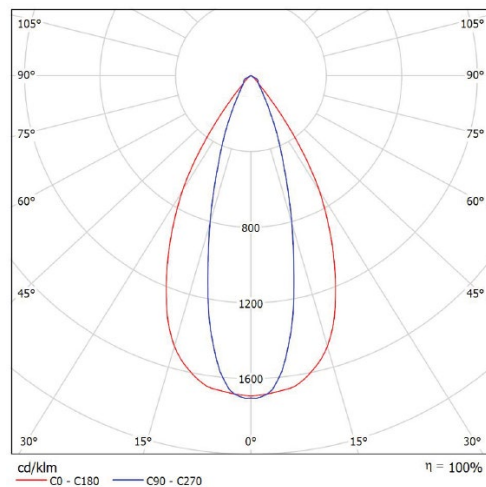
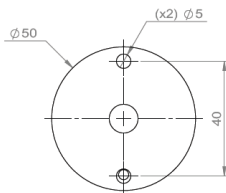
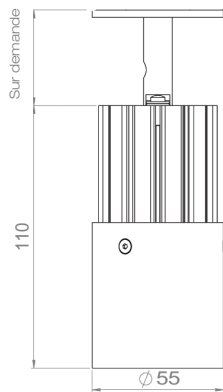
Last update : 2023/10/23

Firalux & LOUSS brands

SARL, Capital 40 000€
 RCS DIJON B 503 367 245
 TVA/VAT n°: FR24 503 367 245
 APE 4676Z

Tel. : +33 380 48 65 68
 contact@louss.fr
 www.louss.fr
 Best group

Siège social / Head Office
 PA Les Terres d'Or
 Route de Saint Philibert
 21220 Gevrey Chambertin - FRANCE



ELIS D55 SUSPENDED-ELLIPTICAL

Dimensions	<p>Luminaire : Length 110mm - Diameter 55mm</p> <p>Rod : Length on request between 40mm and 500mm</p> <p>Total height : 150mm to 610mm</p>
Installation	Surface-mounted under horizontal support
Net weight	0.45Kg (40mm stem) to 0.6Kg (500mm stem)
LED characteristics	<p>2700K</p> <p>Ellipse MacAdam: 3 SDCM</p> <p>CRI 90</p> <p>UGR < 15</p> <p>1,400lm at 500mA</p>
Optical beam	Elliptic 30°x57°
Connection	Supplied with 1m cable
Separate power supply	<p>External constant-current driver 500mA max, type SELV, compliant with EN 61347-2-13 standard</p> <p>This driver must supply a minimum constant current of 50mA to obtain a luminous flux > 45 lm</p> <p>It must not be able to deliver a current greater than 2A in both normal and short-circuit operation</p>
Consumption	<p>18W at 500mA max</p> <p>Junction block not included. Installation may require the advice of a qualified person</p>
Electrical characteristics	<p>Electrical class : III</p> <p>Max. current : 500mA</p> <p>Power : 17W at 500mA</p> <p>Voltage : 34V at 500mA</p>

All connections must be made before switching on the power supply.
 otherwise the LEDs may be seriously damaged.
 Supplying this luminaire with constant voltage may cause irreversible damage.

5/6

LOUSS

Last update : 2023/10/23

Firalux & LOUSS brands

SARL, Capital 40 000€
 RCS DIJON B 503 367 245
 TVA/VAT n°: FR24 503 367 245
 APE 4676Z

Tel. : +33 380 48 65 68
 contact@louss.fr
 www.louss.fr
 Best group

Siège social / Head Office
 PA Les Terres d'Or
 Route de Saint Philibert
 21220 Gevrey Chambertin - FRANCE

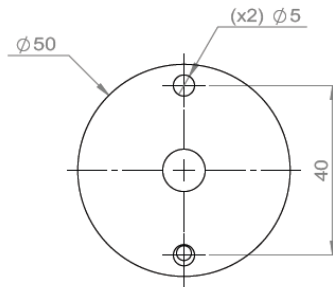


ELIS D55 SUSPENDED

Installation guide

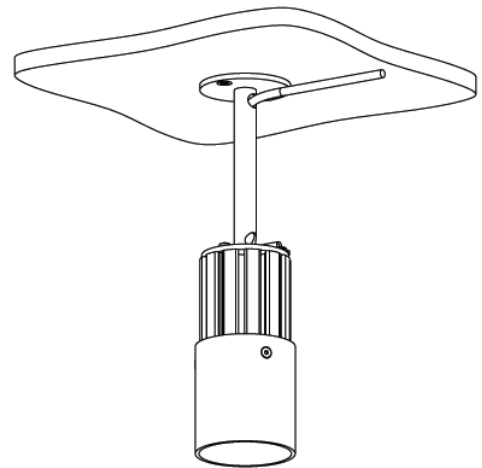
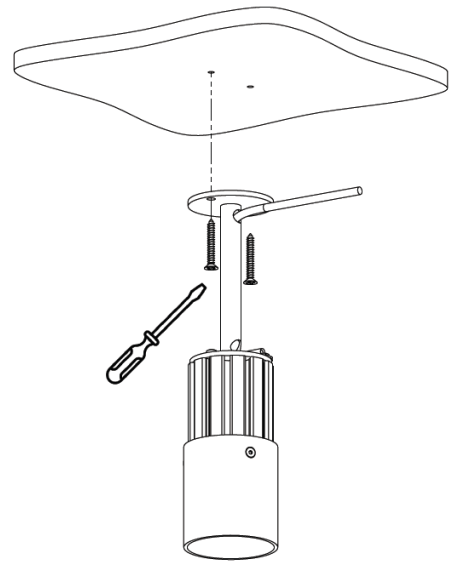
1 Make sure that the surface can support the weight of the luminaire (0.6kg max. depending on version)

2 Drill 2 holes in the round metal plate according as shown below



3 Screw in the 2 screws

4 Connect the luminaire to the driver



All connections must be made before switching on the power supply.
otherwise the LEDs may be seriously damaged.
Supplying this luminaire with constant voltage may cause irreversible damage.