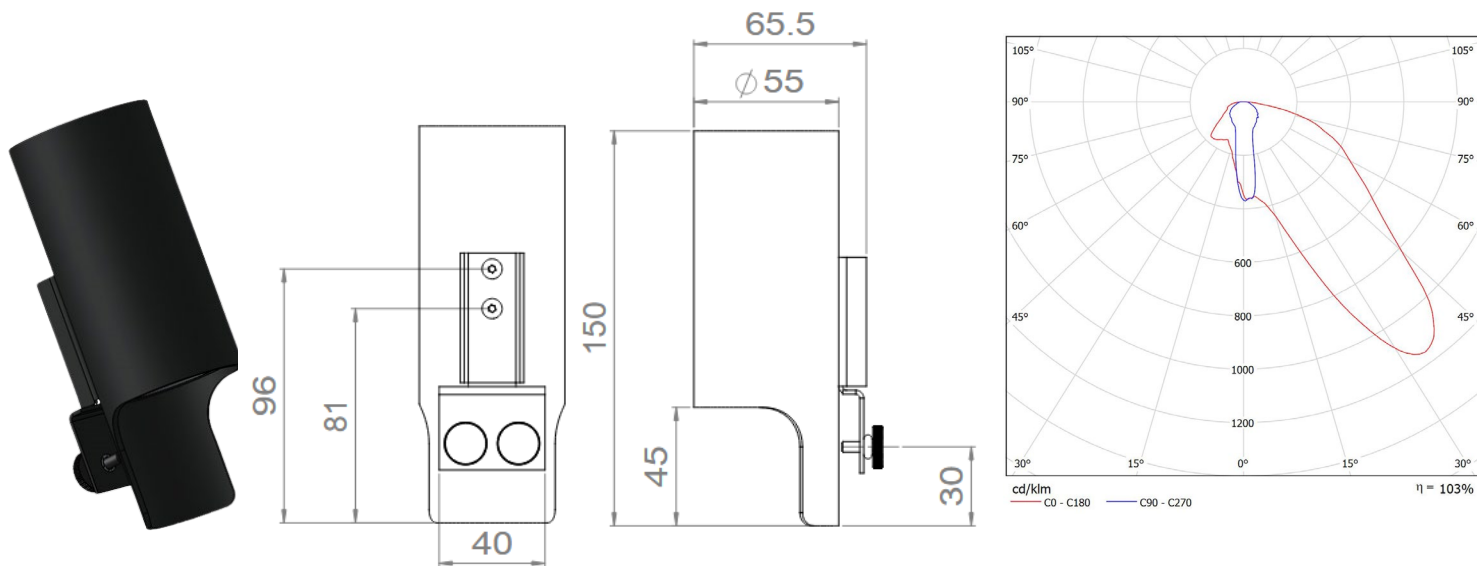


ELIS D55
CABLE TRAY



ELIS D55 CABLE TRAY

Range	Low luminance luminaire for general and accent lighting
Description	Space-saving, flush-mounted luminaire with asymmetric wall washer distribution Non-directional lateral mounting RAL 9005 extra matt finish painted aluminum tube
Net weight	0.30 kg
Installation	Side-mounted on cable tray
LED characteristics	2700K - 3000K - 4000K Ellipse MacAdam: 3 SDCM IRC90 (standard version)
Optical beam	45mm diameter asymmetrical wall washer optics
Connection	Supplied with 0.50m of cable at luminaire outlet (others on request)
Separate power supply	ON/OFF or dimmable remote driver
Conditions of use	The product must be installed in a ventilated area. Any use in an ambient temperature above 25° may lead to premature death of the product and withdrawal of the warranty Drivers, if not supplied by LOuss, must be approved before use. All products are tested before delivery
Waranty	Service life: L80B10 at 50,000 hours (80% flux remaining) at 30°C ambient temperature 3-year parts and labor warranty. This warranty covers problems related to manufacturing and components supplied by us. The warranty does not apply if the product has been opened, modified or repaired. Damage caused by incorrect connection, lightning, overvoltage or misuse is not covered. Repairs are carried out in our workshops
Luminaire electrical characteristics	Electrical class : III Max. current : 700mA Power : 8W at 700mA Tenson : 12V at 700mA

All connections must be made before switching on the power supply.
to avoid serious damage to the LED

LOuss

Last update :
2023/10/23

Firalux & LOuss brands

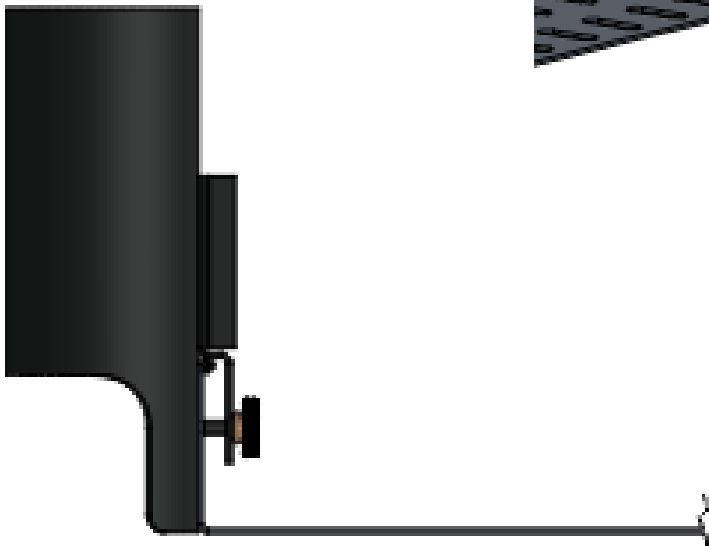
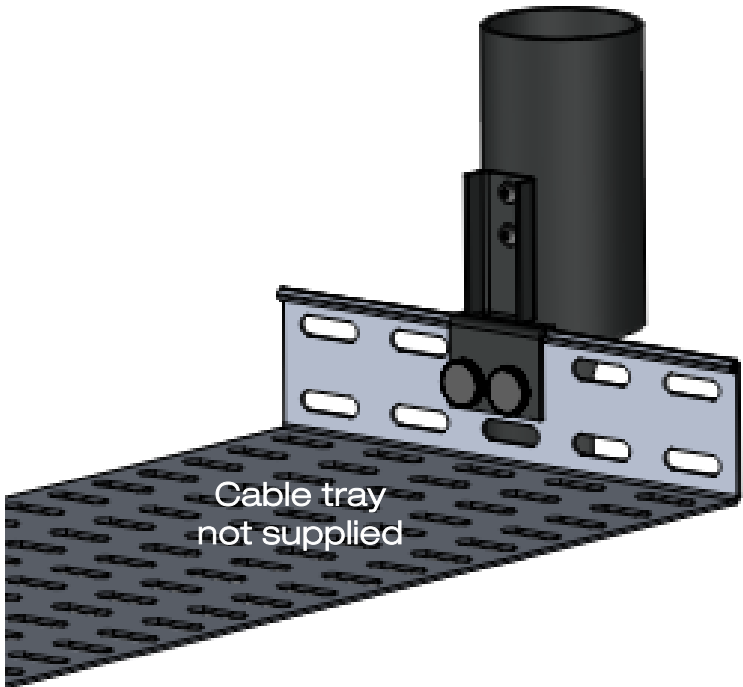
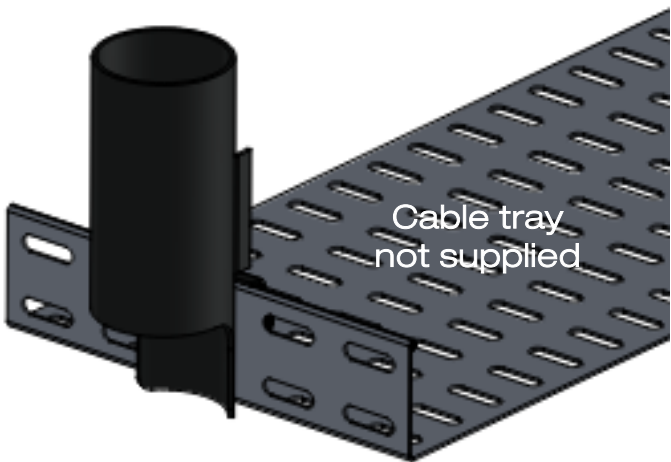
SARL, Capital 40 000€
RCS DIJON B 503 367 245
TVA/VAT n°: FR24 503 367 245
APE 4676Z

Tel. : +33 380 48 65 68
contact@louss.fr
www.louss.fr
Best group

Siège social / Head Office
PA Les Terres d'Or
Route de Saint Philibert
21220 Gevrey Chambertin - FRANCE

ELIS D55 CABLE TRAY

Installation guide



All connections must be made before switching on the power supply.
to avoid serious damage to the LED

LOUSS

Last update :
2023/10/23

Firalux & LOUSS brands

SARL, Capital 40 000€
RCS DIJON B 503 367 245
TVA/VAT n°: FR24 503 367 245
APE 4676Z

Tel. : +33 380 48 65 68
contact@louss.fr
www.louss.fr
Best group

Siège social / Head Office
PA Les Terres d'Or
Route de Saint Philibert
21220 Gevrey Chambertin - FRANCE