



ELIS 100
SUSPENDED



ELIS SUSPENDED

Common characteristics

Range	Low luminance luminaire for general and accent lighting
Description	Black anodized aluminum heatsink RAL 9005 extra matt finish painted aluminum tube
Installation	Luminaire designed to be surface-mounted using the hook (not suitable for flush-mounting) Must be installed vertically (not suitable for horizontal installation). Luminaire's fixing method must be adapted to the nature of the support and must withstand a weight of 2.5kg, i.e. 5 times the weight of the luminaire
Limits of use	The product must be installed in a ventilated area, at a minimum distance of 4cm from any vertical wall. Use in ambient temperatures above 30° will result in premature product death and the withdrawal of the warranty Not suitable for mounting on easily flammable materials Drivers, if not supplied by LOuss, must be approved before use All products are tested before delivery
Warranty	Guaranteed flux: 80% of initial flux after 50,000 hours (L80B10), at 30°C ambient temperature 3-year parts and labor warranty. This warranty covers problems related to the manufacture and components of our products. The warranty does not apply if the product has been opened, modified or repaired. Damage caused by incorrect connection, lightning, overvoltage or misuse is not covered. Repairs are carried out in our workshop

All connections must be made before switching on the power supply.
otherwise the LEDs may be seriously damaged
Constant voltage supply to this luminaire may cause irreversible damage.

LOuss

Last update : 2023/10/24

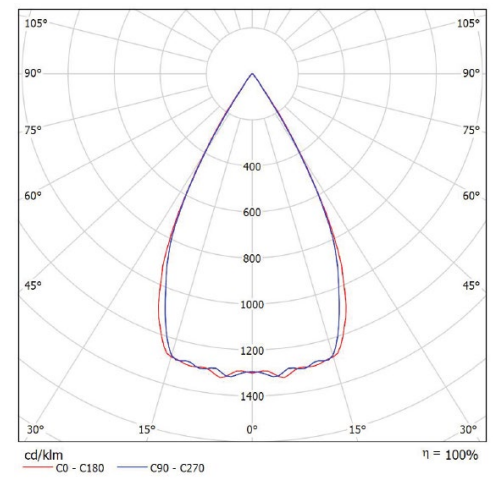
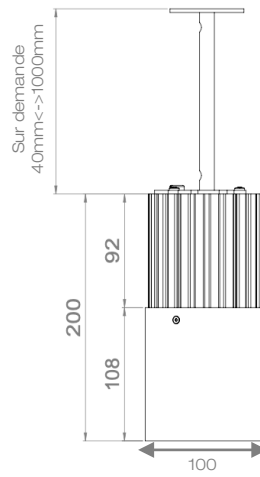
2/10

Firalux & LOuss brands

SARL, Capital 40 000€
RCS DIJON B 503 367 245
TVA/VAT n°: FR24 503 367 245
APE 4676Z

Tel. : +33 380 48 65 68
contact@louss.fr
www.louss.fr
Best group

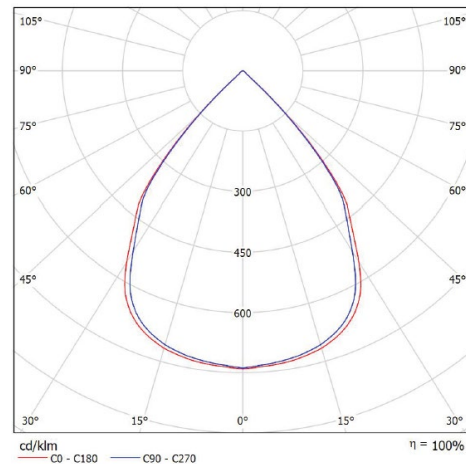
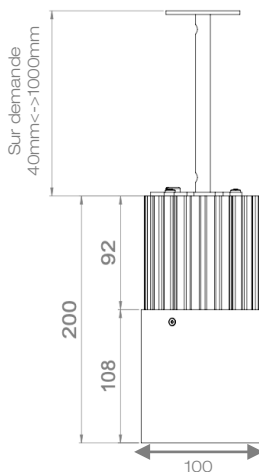
Siège social / Head Office
PA Les Terres d'Or
Route de Saint Phillibert
21220 Gevrey Chambertin - FRANCE



ELIS D100 SUSPENDED-44

Dimensions	<p>Luminaire : Length 200mm - Diameter 100mm</p> <p>Rod : Length on request between 40mm and 1000mm</p> <p>Total height : 240mm to 1200mm</p>
Installation	Surface-mounted under horizontal surface by 4 screws diameter 4.5mm
Net weight	1.55kg (40mm stem) to 1.95Kg (1000mm stem)
LED characteristics	<p>2700K</p> <p>Ellipse MacAdam: 3 SDCM</p> <p>CRI 90</p> <p>UGR < 15</p> <p>3600 lm luminaire output at 1350mA</p>
Optical beam	53°
Connection	Supplied with 1m cable as standard, 3m optional
Separate power supply	<p>External constant-current driver, max. 1350mA, SELV type, compliant with EN 61347-2-13 standard</p> <p>This driver must supply a minimum constant current of 100mA to obtain a minimum luminous flux of 45 lm</p> <p>It must not be able to deliver a current greater than 2A in both normal and short-circuit operation</p> <p>Terminal block not included. Installation requires the advice of a qualified person</p>
Electricals characteristics	<p>Electrical class : III</p> <p>Max. current : 1350mA</p> <p>Power : 46W at 1350mA</p> <p>Voltage : 34V at 1350mA</p>

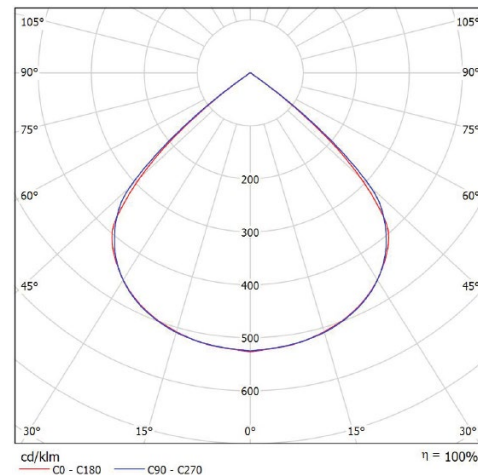
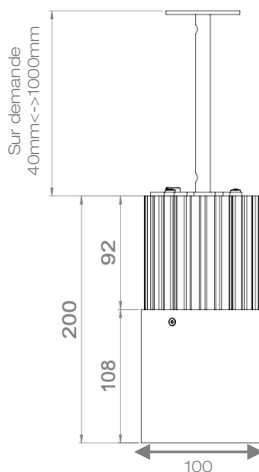
All connections must be made before switching on the power supply.
 otherwise the LEDs may be seriously damaged
 Constant voltage supply to this luminaire may cause irreversible damage.



ELIS D100 SUSPENDED-58

Dimensions	<p>Luminaire : Length 200mm - Diameter 100mm</p> <p>Rod : Length on request between 40mm and 1000mm</p> <p>Total height : 240mm to 1200mm</p>
Installation	Surface-mounted under horizontal surface by 4 screws diameter 4.5mm
Net weight	1.75kg (40mm stem) to 2.15Kg (1000mm stem)
LED characteristics	<p>2700K</p> <p>Ellipse MacAdam: 3 SDCM</p> <p>CRI 90</p> <p>UGR < 15</p> <p>3590 lm luminaire output at 1400mA</p>
Optical beam	73°
Connection	Supplied with 1m cable
Separate power supply	<p>External constant-current driver, max. 1350mA, SELV type, compliant with EN 61347-2-13 standard</p> <p>This driver must supply a minimum constant current of 100mA to obtain a minimum luminous flux of 45 lm</p> <p>It must not be able to deliver a current greater than 2A in both normal and short-circuit operation</p> <p>Terminal block not included. Installation requires the advice of a qualified person</p>
Electricals characteristics	<p>Electrical class : III</p> <p>Max. current : 1400mA</p> <p>Power : 48W à 1400mA</p> <p>Voltage : 34.2V à 1400mA</p>

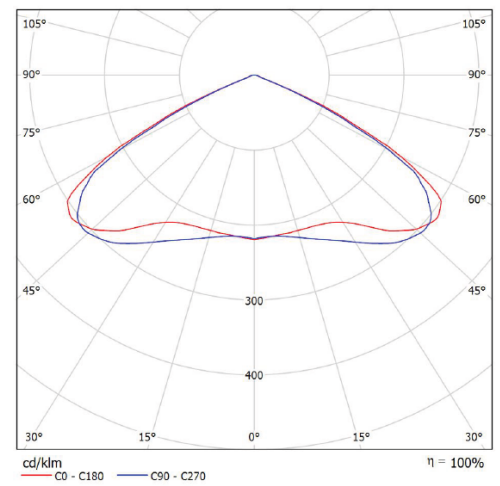
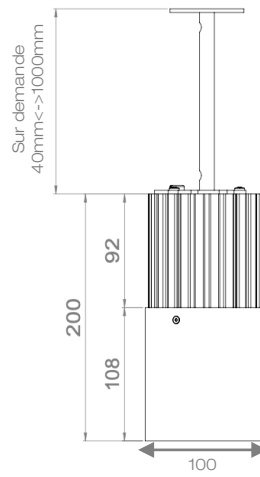
All connections must be made before switching on the power supply.
 otherwise the LEDs may be seriously damaged
 Constant voltage supply to this luminaire may cause irreversible damage.



ELIS D100 SUSPENDU-93

Dimensions	<p>Luminaire : Length 200mm - Diameter 100mm</p> <p>Rod : Length on request between 40mm and 1000mm</p> <p>Total height : 240mm to 1200mm</p>
Installation	Horizontal mounting by 4 screws diameter 4.5mm
Net weight	1.75kg (40mm stem) to 2.15Kg (1000mm stem)
LED characteristics	<p>2700K</p> <p>Ellipse MacAdam: 3 SDCM</p> <p>CRI 90</p> <p>UGR < 15</p> <p>4100 lm luminaire output at 1350mA</p>
Optical beam	91°
Connection	Supplied with 1m cable
Separate power supply	<p>External constant-current driver, max. 1350mA, SELV type, compliant with EN 61347-2-13 standard</p> <p>This driver must supply a minimum constant current of 100mA to obtain a minimum luminous flux of 45 lm</p> <p>It must not be able to deliver a current greater than 2A in both normal and short-circuit operation</p> <p>Terminal block not included. Installation requires the advice of a qualified person</p>
Electrical characteristics	<p>Electrical class : III</p> <p>Max. current : 1350mA</p> <p>Power : 46W à 1350mA</p> <p>Voltage : 34V à 1350mA</p>

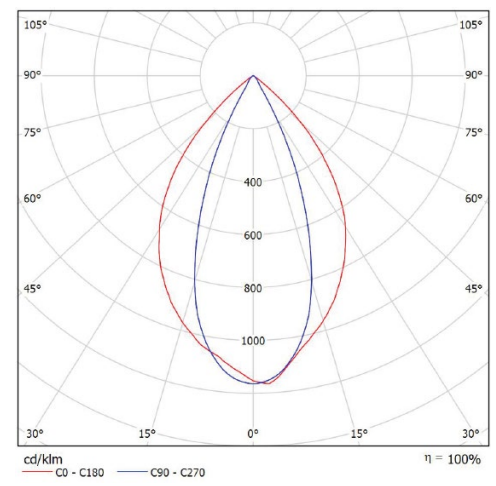
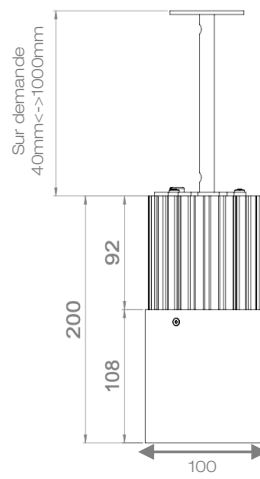
All connections must be made before switching on the power supply.
otherwise the LEDs may be seriously damaged
Constant voltage supply to this luminaire may cause irreversible damage



ELIS D100 SUSPENDED-150

Dimensions	<p>Luminaire : Length 200mm - Diameter 100mm</p> <p>Rod : Length on request between 40mm and 1000mm</p> <p>Total height : 240mm to 1200mm</p>
Installation	Horizontal mounting by 4 screws diameter 4.5mm
Net weight	1.85kg (40mm stem) to 2.25Kg (1000mm stem)
LED characteristics	<p>2700K</p> <p>Ellipse MacAdam: 3 SDCM</p> <p>CRI 90</p> <p>UGR < 15</p> <p>3600 lm luminaire output at 1400mA</p>
Optical beam	120°
Connection	Supplied with 1m cable
Separate power supply	<p>External constant-current driver, max. 1350mA, SELV type, compliant with EN 61347-2-13 standard</p> <p>This driver must supply a minimum constant current of 100mA to obtain a minimum luminous flux of 45 lm</p> <p>It must not be able to deliver a current greater than 2A in both normal and short-circuit operation</p> <p>Terminal block not included. Installation requires the advice of a qualified person</p>
Electricals characteristics	<p>Electrical class : III</p> <p>Max. current : 1400mA</p> <p>Power : 48W à 1400mA</p> <p>Voltage : 34.2V à 1400mA</p>

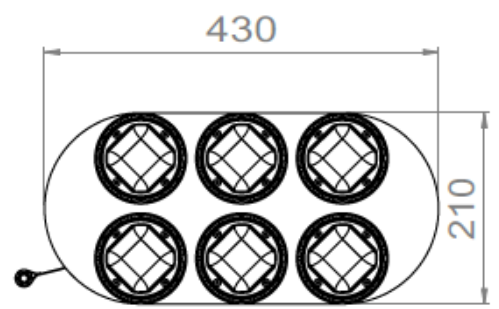
All connections must be made before switching on the power supply.
 otherwise the LEDs may be seriously damaged
 Constant voltage supply to this luminaire may cause irreversible damage



ELIS D100 SUSPENDED-ELLIPTICAL

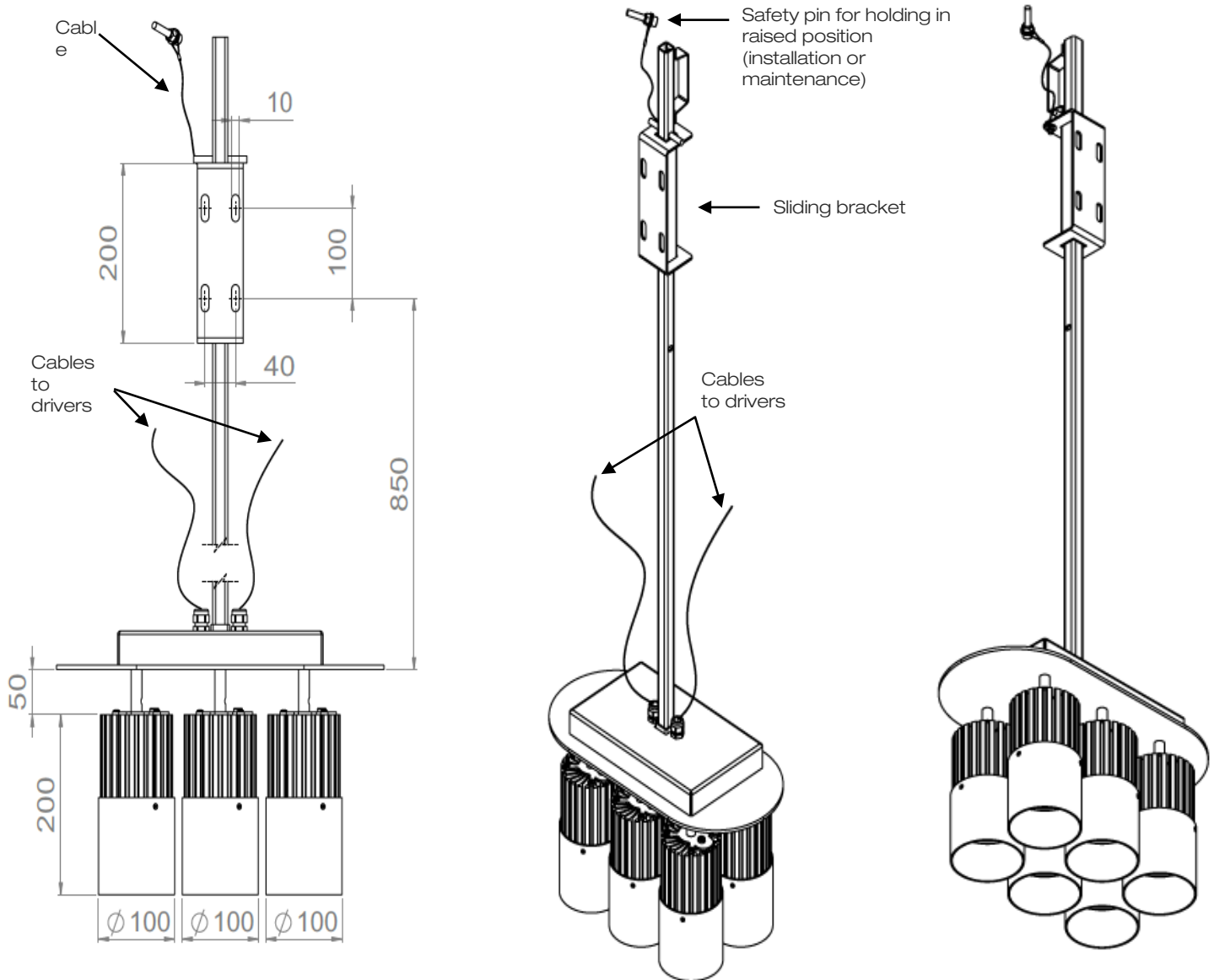
Dimensions	<p>Luminaire : Length 200mm - Diameter 100mm</p> <p>Rod : Length on request between 40mm and 1000mm</p> <p>Total height : 240mm to 1200mm</p>
Installation	Horizontal mounting by 4 screws diameter 4.5mm
Net weight	1.75kg (40mm stem) to 2.15Kg (1000mm stem)
LED characteristics	<p>2700K</p> <p>Ellipse MacAdam: 3 SDCM</p> <p>CRI 90</p> <p>UGR < 15</p> <p>3400 lm luminaire output at 1350mA</p>
Optical beam	40°x70°
Connection	Supplied with 1m
Separate power supply	<p>External constant-current driver, max. 1350mA, SELV type, compliant with EN 61347-2-13 standard</p> <p>This driver must supply a minimum constant current of 100mA to obtain a minimum luminous flux of 45 lm</p> <p>It must not be able to deliver a current greater than 2A in both normal and short-circuit operation</p> <p>Junction block not included. Installation requires the advice of a qualified person</p>
Electricals characteristics	<p>Electrical class : III</p> <p>Max. current : 1350mA</p> <p>Power : 46W à 1350mA</p> <p>Voltage : 34V à 1350mA</p>

All connections must be made before switching on the power supply
otherwise the LEDs may be seriously damaged
Constant voltage supply to this luminaire may cause irreversible damage



ELIS D100 SUSPENDED-CLUSTER6

Cluster 6 spots

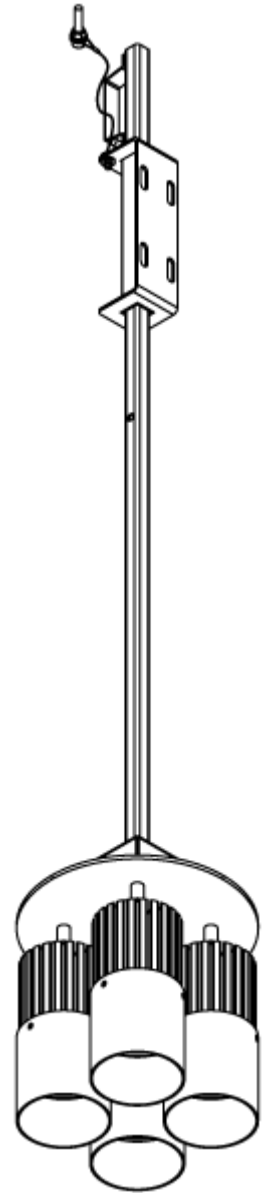
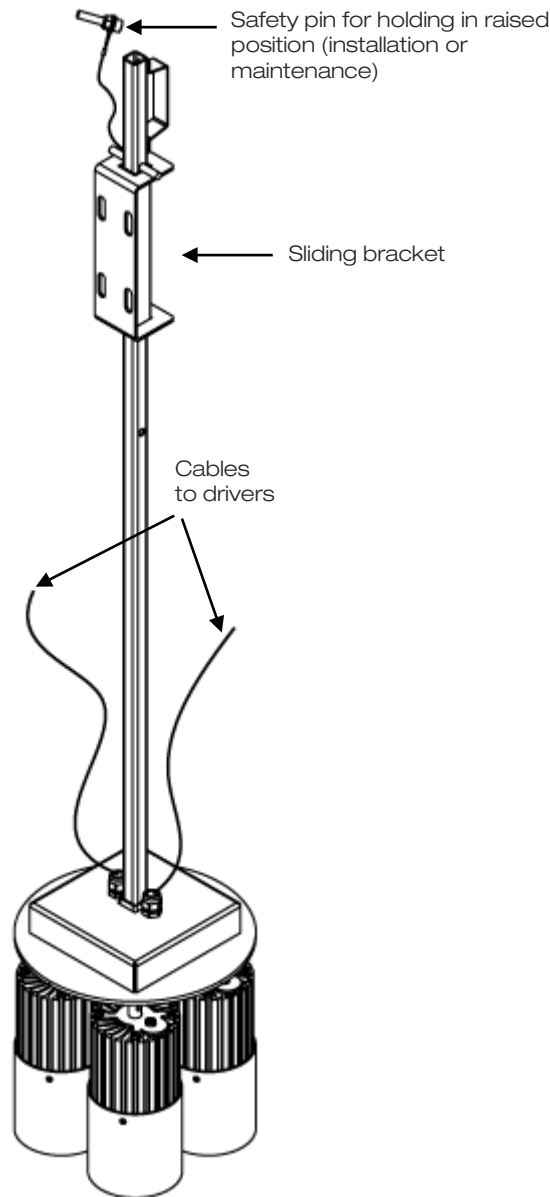
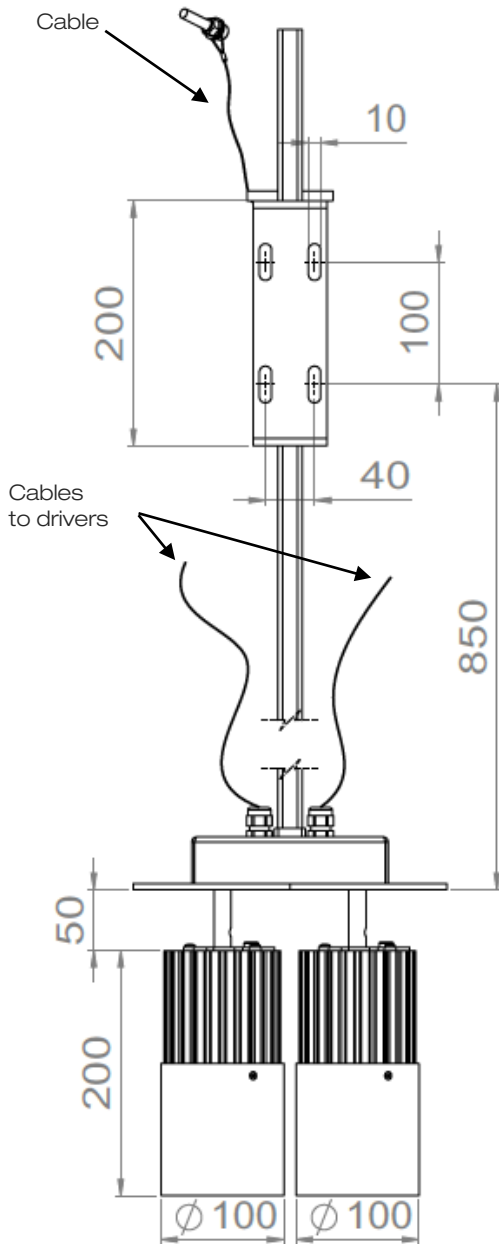
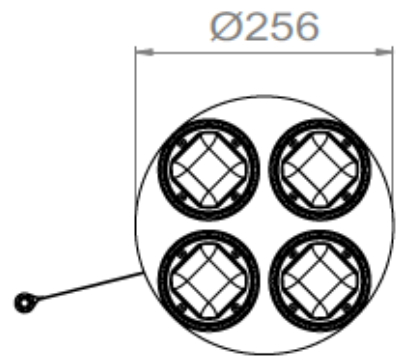


All connections must be made before switching on the power supply
 otherwise the LEDs may be seriously damaged
 Constant voltage supply to this luminaire may cause irreversible damage



ELIS D100 SUSPENDED CLUSTER4

Cluster 4 spots



All connections must be made before switching on the power supply
otherwise the LEDs may be seriously damaged
Constant voltage supply to this luminaire may cause irreversible damage

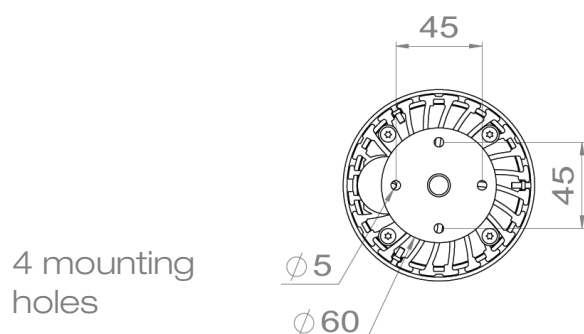
ELIS D100 SUSPENDED

Installation instructions



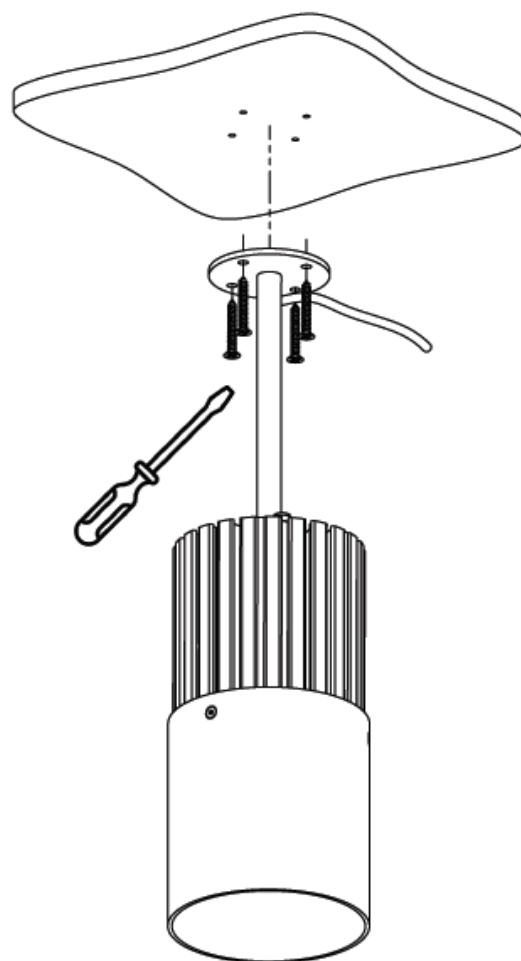
1 Make sure that the support can endure the weight of the luminaire (2.5 kg max. depending on version)

2 Drill 4 holes in the round metal plate according to the indications below



3 Screw in the 4 screws

4 Connect the luminaire to the driver



All connections must be made before switching on the power supply
otherwise the LEDs may be seriously damaged
Constant voltage supply to this luminaire may cause irreversible damage