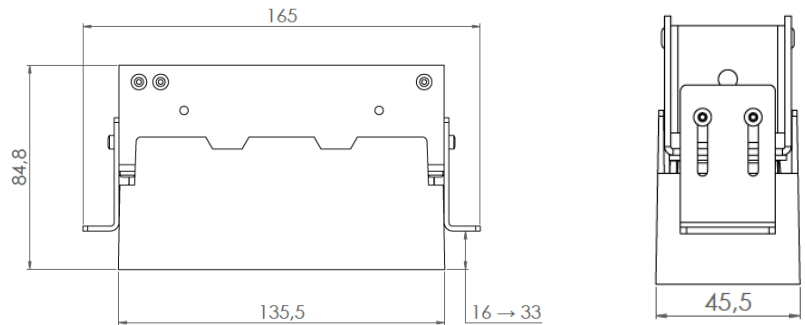


## BRIKE 3 LED



## BRIKE

### Brackets version

<b>Range</b>	3 LEDS ceiling downlight
<b>Description</b>	Low luminance Body in cast aluminium, heatsink in aluminium RAL upon request
<b>Dimensions</b>	Length: 165mm with brackets – Width: 45.5mm – Height : 84.8mm Recessed dimensions: 136mm x 47mm (An open space of 100mm has to be planned above the ceiling)
<b>Net weight</b>	0.370 kg (except driver)
<b>LED characteristics</b>	2700K – 3000K – 4000K (other upon request) CRI 90 – CRI > 95 upon request UGR < 19
<b>Optical beam</b>	10° - 25° - 40° - 60° - specific filters upon request
<b>Separate power supply</b>	350 to 900mA constant current driver Dimmable driver as an option
<b>LED power</b>	7W to 18W
<b>Connection</b>	Supplied with safety rope and 1m standard cable (other upon request)
<b>Use limitations</b>	The product must be installed into a ventilated area. Any use with an ambient temperature higher than the specified ambient temperature (Ta) would lead to a more rapid mortality of the product and the withdrawal of our guarantees. The drivers, if not delivered by LOuss, must be approved before use.
<b>Warranty</b>	Life span: L80B10 at 50,000 hours (80% remaining flux) at 25°C ambient temperature. 3-year parts and labour warranty. The warranty does not apply to products that have been opened, modified or repaired and does not cover the effects of a wrong connection, careless, abusive handling, overvoltage, lighting injury, as well as the normal wear of the product. All products are electrically tested and received a functional burn-in.

All the connections have to be made before powering up,  
otherwise the luminaires could be seriously damaged.

LOuss

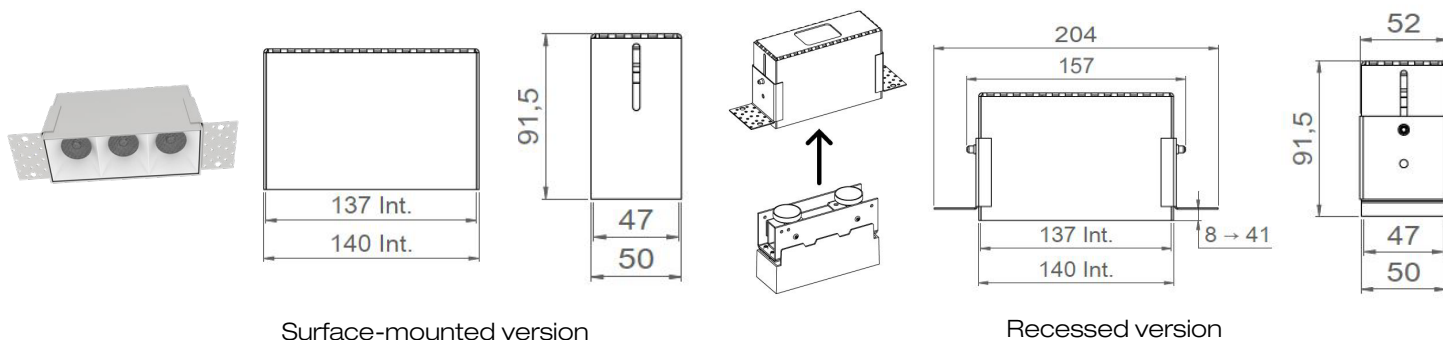
Last update : 17/01//2020

Firalux & LOuss brands

SARL, Capital 40 000€  
RCS DIJON B 503 367 245  
TVA/VAT n°: FR24 503 367 245  
APE 4676Z

Tel. : +33 380 48 65 68  
contact@louss.fr  
[www.louss.fr](http://www.louss.fr)  
Best group

Siège social / Head Office  
PA Les Terres d'Or  
Route de Saint Philibert  
21220 Gevrey Chambertin - FRANCE



Surface-mounted version

Recessed version

## BRIKE

### Magnetic version

<b>Range</b>	3 LEDS ceiling downlight
<b>Description</b>	Recessed magnetic version or surface-mounted version Heatsink and recessed box in aluminium Body in cast aluminium with paint finish RAL upon request
<b>Dimensions</b>	Length : 157mm – Width : 47mm – Height : 91.50mm Recessed dimensions : 142mm x 49mm (An open space of 100mm has to be planned above the ceiling)
<b>Net weight</b>	0.670 kg (except driver)
<b>LED characteristics</b>	2700K – 3000K – 3500K - 4000K (other upon request) CRI90 – CRI > 95 upon request UGR < 19
<b>Optical beam</b>	10°- 25°- 40°- 60°- specific filters upon request
<b>Separate power supply</b>	350 to 900mA constant current driver Dimmable driver as an option
<b>LED power</b>	7W to 18W
<b>Connection</b>	Supplied with safety rope and 1m standard cable (other upon request)
<b>Use limitations</b>	The product must be installed into a ventilated area. Any use with an ambient temperature higher than the specified ambient temperature (Ta) would lead to a more rapid mortality of the product and the withdrawal of our guarantees. The drivers, if not delivered by LOuss, must be approved before use.
<b>Warranty</b>	Life span: L80B10 at 50,000 hours (80% remaining flux) at 25°C ambient temperature. 3-year parts and labour warranty. The warranty does not apply to products that have been opened, modified or repaired and does not cover the effects of a wrong connection, careless, abusive handling, overvoltage, lighting injury, as well as the normal wear of the product. All products are electrically tested and received a functional burn-in.

All the connections have to be made before powering up,  
otherwise the luminaires could be seriously damaged.

LOuss

Last update : 15/07/2021

Firalux & LOuss brands

SARL, Capital 40 000€  
RCS DIJON B 503 367 245  
TVA/VAT n°: FR24 503 367 245  
APE 4676Z

Tel. : +33 380 48 65 68  
contact@louss.fr  
[www.louss.fr](http://www.louss.fr)  
Best group

Siège social / Head Office  
PA Les Terres d'Or  
Route de Saint Philibert  
21220 Gevrey Chambertin - FRANCE